



Satin Chrome (Finish ID:24)

## HUDSON SURFACE MOUNT DOOR PULL

	Item Code	Size (mm & Inches)	Material	Size (Inches)				Fig.
				A	B	C	D	
1	SDP.880.12".XX.XXX.XXXX.X	304.8mm (12")	Brass	13.19	1.26	12	1.88	1
2	SDP.880.18".XX.XXX.XXXX.X	457.2mm (18")	Brass	19.17	1.26	18	1.88	1
3	SDP.880.24".XX.XXX.XXXX.X	609.6mm (24")	Brass	25.2	1.26	24	1.88	1

"XX" in item code denotes Finish ID.

"XXX" in item code denotes Door Thickness.

"XXXX" in item code denotes Door Material.

"X" in item code denotes Front Fix or Back Fix.

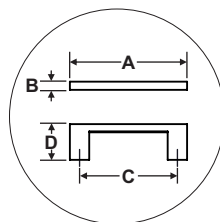
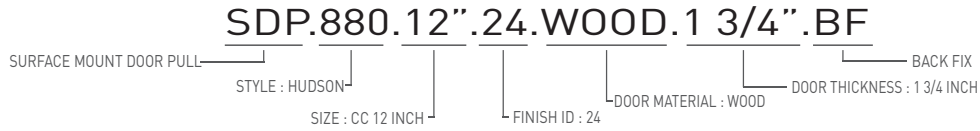


FIG. 1

This product is Supplied with Mounting Kit including with the Order.

## How to Order



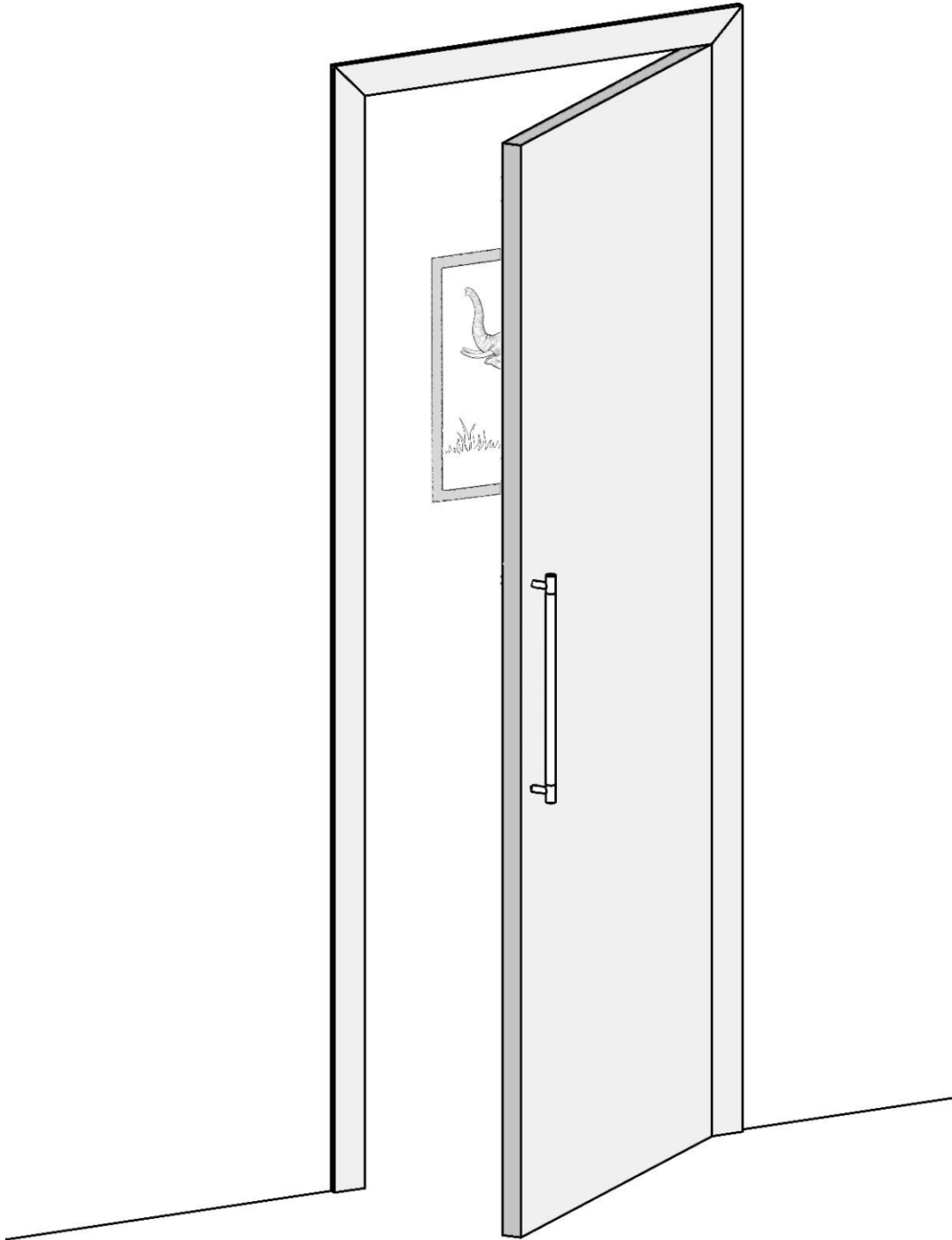
## Hudson Surface Mount Door Pull Finish Options

Base Material : Brass	Standard Finishes (2-3 Weeks Delivery)							
<table style="width: 100%; text-align: center;"> <tr> <td>Bright Chrome (Finish ID:2)</td> <td>Brush Nickel (Finish ID:3)</td> <td>Aged Brass (Finish ID:4)</td> <td>Unlacquered Polished Brass (Finish ID:7U)</td> <td>Polished Nickel (Finish ID:8)</td> <td>Satin Brass (Finish ID:13)</td> </tr> </table>		Bright Chrome (Finish ID:2)	Brush Nickel (Finish ID:3)	Aged Brass (Finish ID:4)	Unlacquered Polished Brass (Finish ID:7U)	Polished Nickel (Finish ID:8)	Satin Brass (Finish ID:13)	
Bright Chrome (Finish ID:2)	Brush Nickel (Finish ID:3)	Aged Brass (Finish ID:4)	Unlacquered Polished Brass (Finish ID:7U)	Polished Nickel (Finish ID:8)	Satin Brass (Finish ID:13)			
Base Material : Brass	Custom Finishes (3-4 Weeks Delivery)*							
<table style="width: 100%; text-align: center;"> <tr> <td>Lacquered Polished Brass (Finish ID:7L)</td> <td>Matte Black (Finish ID:19)</td> <td>Satin Chrome (Finish ID:24)</td> <td>Graphite (Finish ID:61)</td> <td>Titanium (Finish ID:79)</td> <td>Ombre (Finish ID:92)</td> <td>Brush Chrome (Finish ID:95)</td> </tr> </table>		Lacquered Polished Brass (Finish ID:7L)	Matte Black (Finish ID:19)	Satin Chrome (Finish ID:24)	Graphite (Finish ID:61)	Titanium (Finish ID:79)	Ombre (Finish ID:92)	Brush Chrome (Finish ID:95)
Lacquered Polished Brass (Finish ID:7L)	Matte Black (Finish ID:19)	Satin Chrome (Finish ID:24)	Graphite (Finish ID:61)	Titanium (Finish ID:79)	Ombre (Finish ID:92)	Brush Chrome (Finish ID:95)		

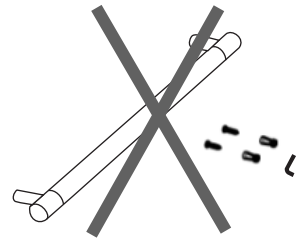
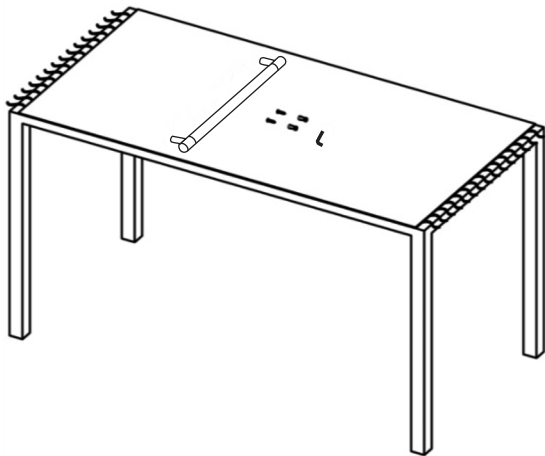
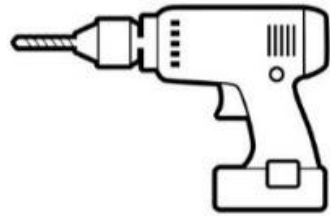
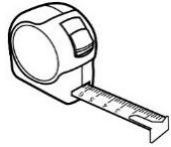
Front Fix (FF)	
Door Material	Door Thickness
1. Wood	1", 1 1/4", 1 1/2", 1 3/4", 2", 2 1/4", 2 1/2"
2. Metal	1", 1 1/4", 1 1/2", 1 3/4", 2", 2 1/4", 2 1/2"
Back Fix (BF)	
Door Material	Door Thickness
1. Wood	5/16", 3/8", 1/2", 3/4", 1", 1 1/4", 1 1/2", 1 3/4", 2", 2 1/4", 2 1/2"
2. Metal	5/16", 3/8", 1/2", 3/4", 1", 1 1/4", 1 1/2", 1 3/4", 2", 2 1/4", 2 1/2"
3. Glass	5/16", 3/8", 1/2", 3/4", 1"

- Custom finishes cannot be returned or refunded. We are unable to accept cancellations for custom finish order unless within 48 hours of the order being placed.
- We have uniform pricing for all non-hammered finishes listed above as long as base material and size is same.
- Contact us for customized finishes, refer pages F1, F2, F3 & F4 for finish glossary.

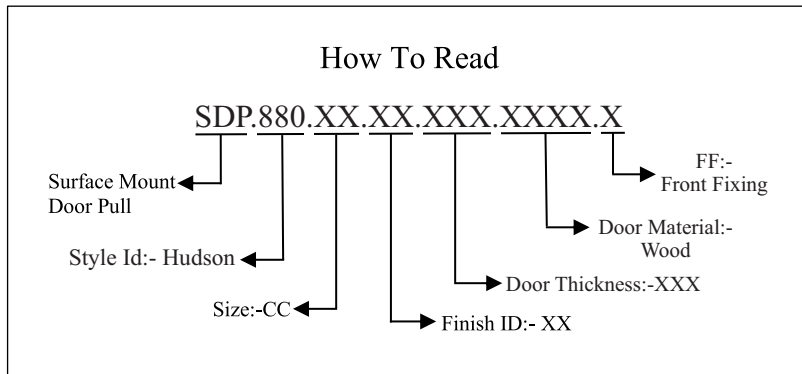
**SURFACE MOUNT FRONT FIXING  
HANDLE ILLUSTRATED**



Required Tools



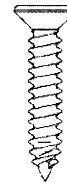
Step Wise Packing List			
S. No.	Part Number	Qty.	Steps
1	SDP.880.XX.XX.XXX.XXXX.X	1x	1
2	SDP.FFPIN	2x	3
3	WSSSCSKPFH.XX	2x	3
4	LNKY. 2.5	1x	4
5	Manual	1x	-



SDP.880.XX.XX.XXX.XXXX.X



SDP.FFPIN

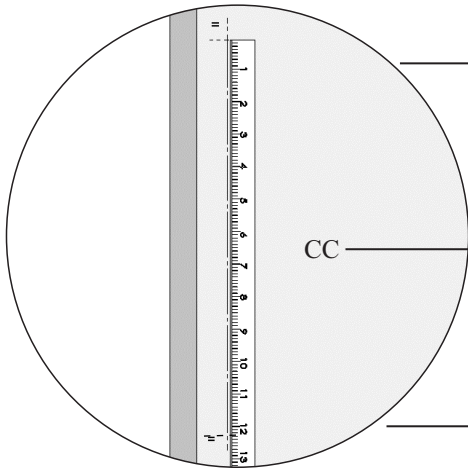
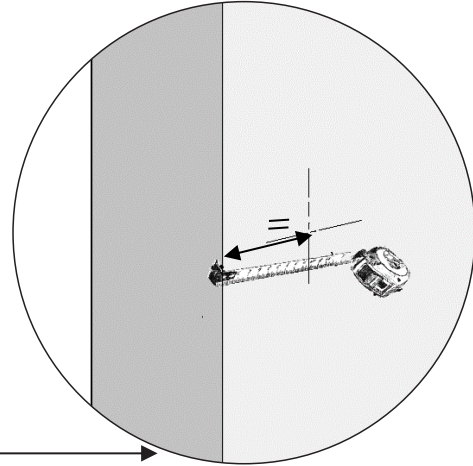
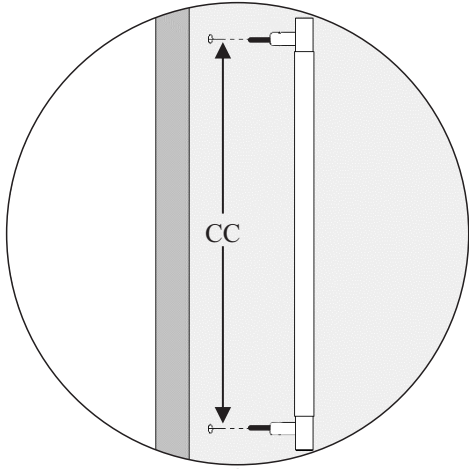


WSSSCSKPFH.XX



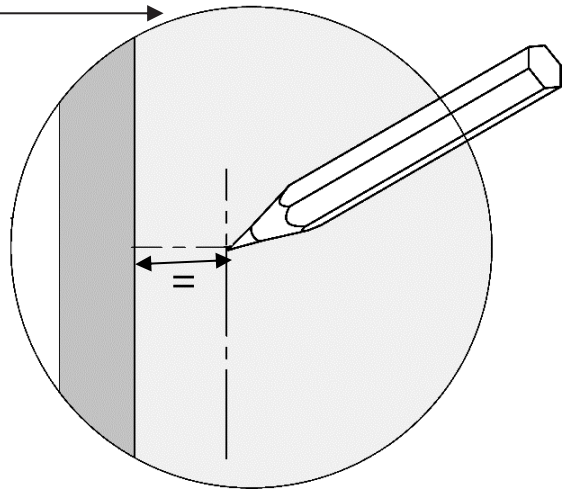
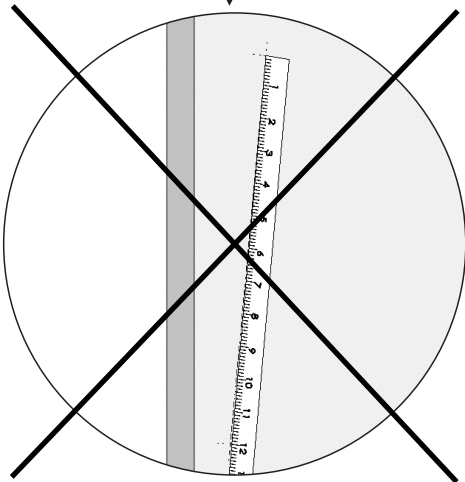
LNKY. 2.5

STEP-1

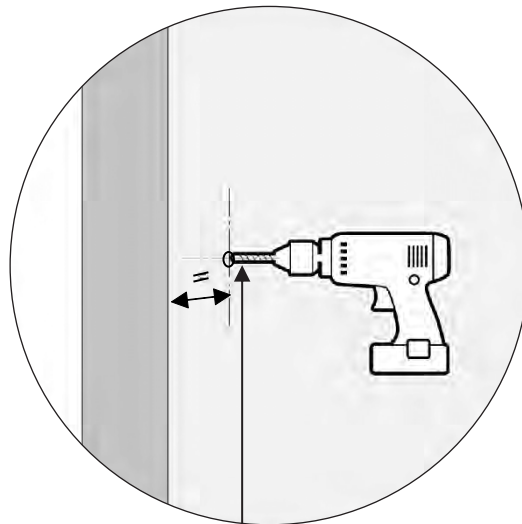
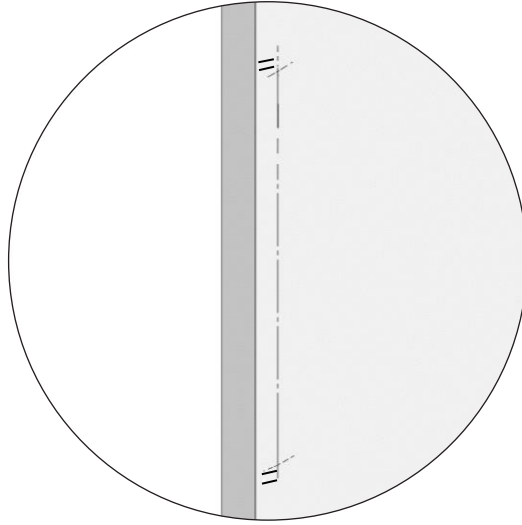


SDP.880.XX.XX.XXX.XXXX.X

Size:-CC  
↓  
12"  
18"



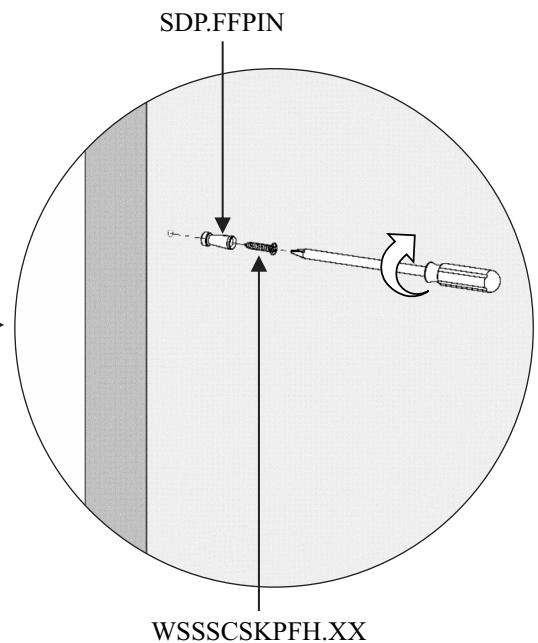
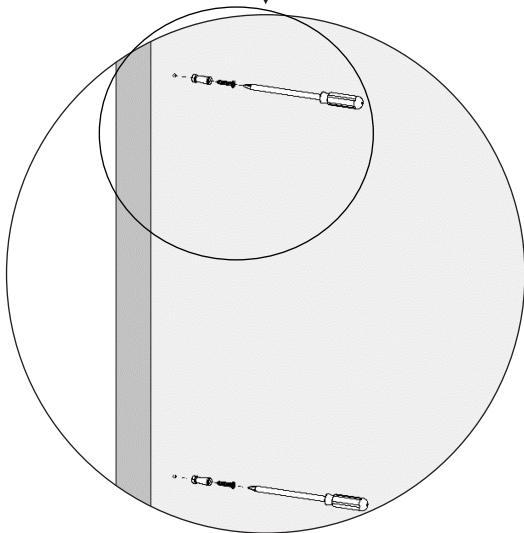
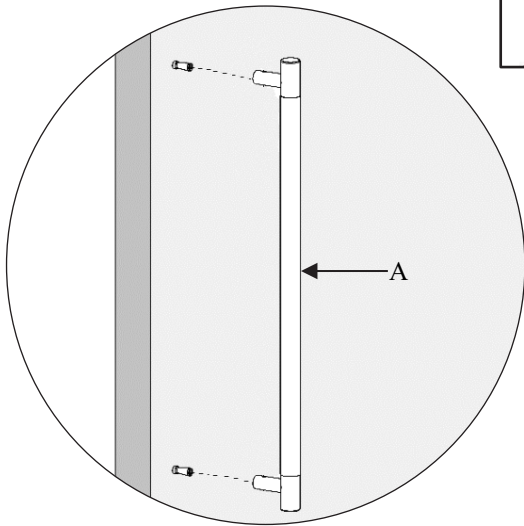
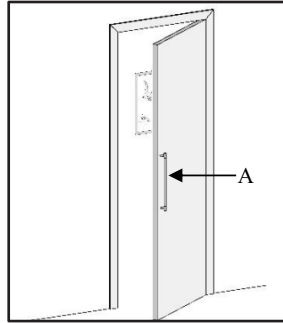
STEP-2



DRILL SIZE			
	Glass	Wood	Metal
SDP FF	N/A	1/10" (2.5mm)	N/A

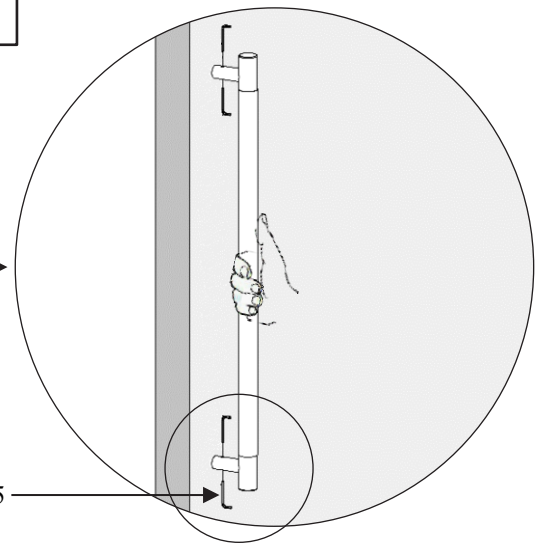
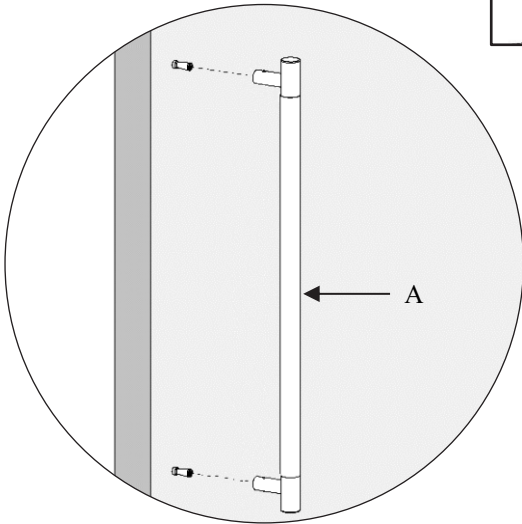
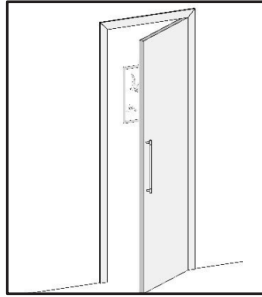
STEP-3

Step Wise Packing List			
S. No.	Part Number	Qty.	Steps
2	SDP.FFPIN	2x	3
3	WSSCSKPFH.XX	2x	3

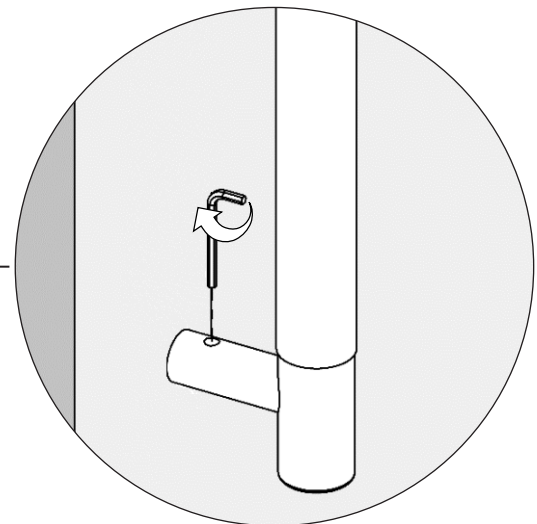
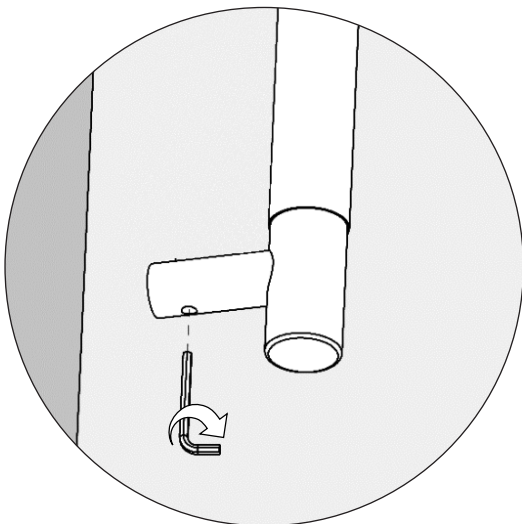


STEP-4

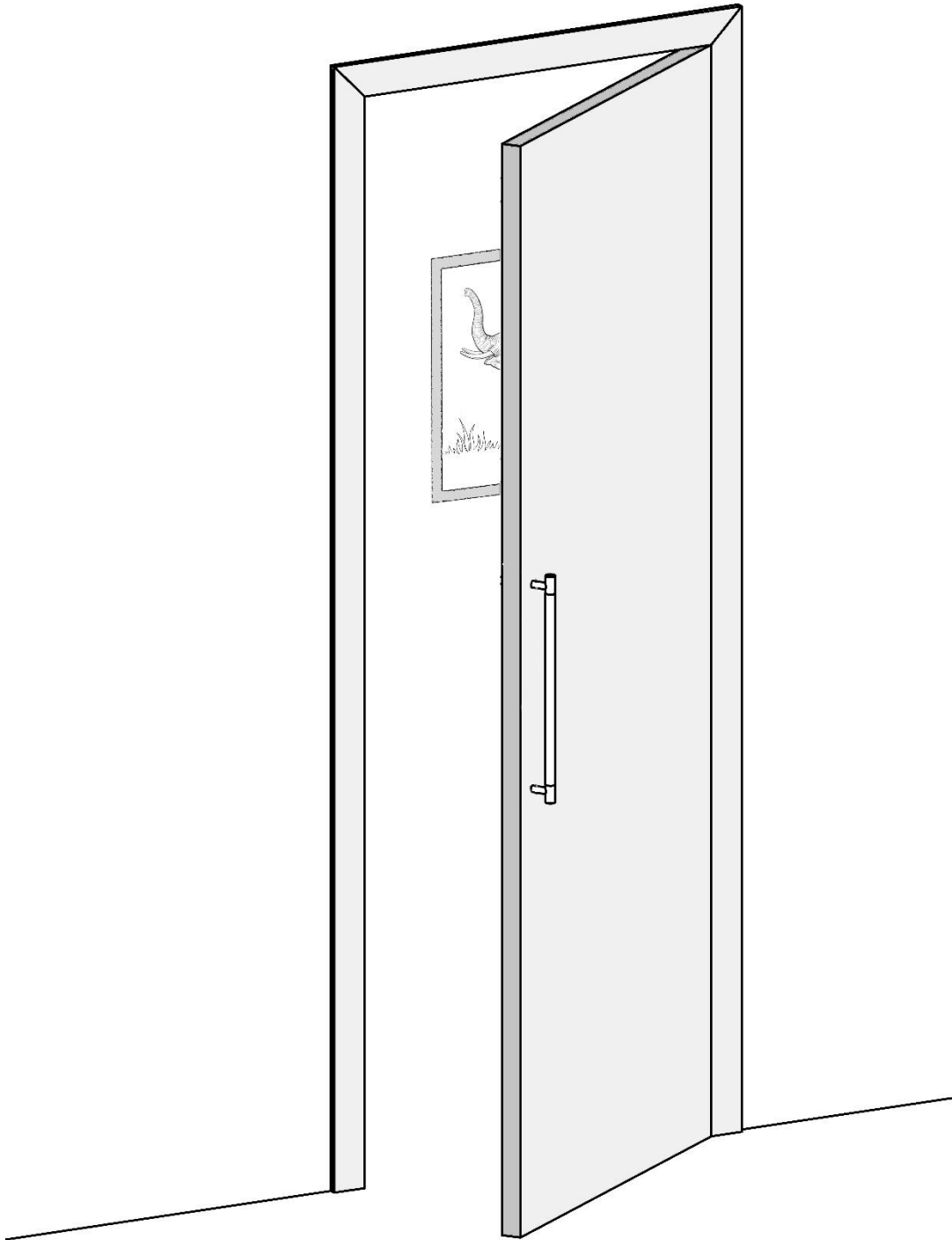
Step Wise Packing List			
S. No.	Part Number	Qty.	Steps
4	LNKY. 2.5	1x	4



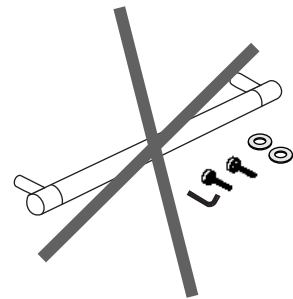
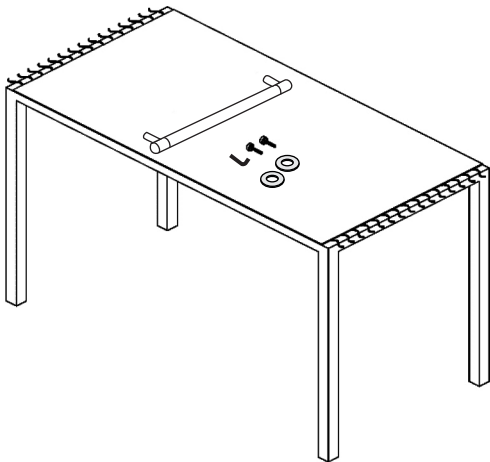
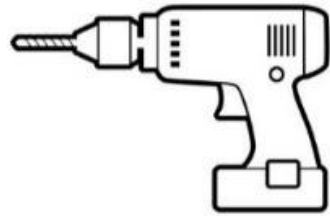
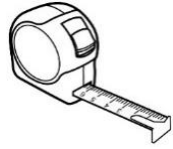
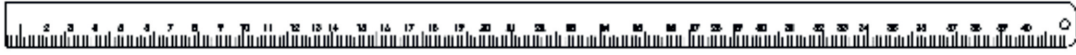
LNKY.2.5



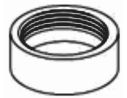
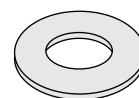
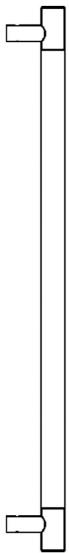
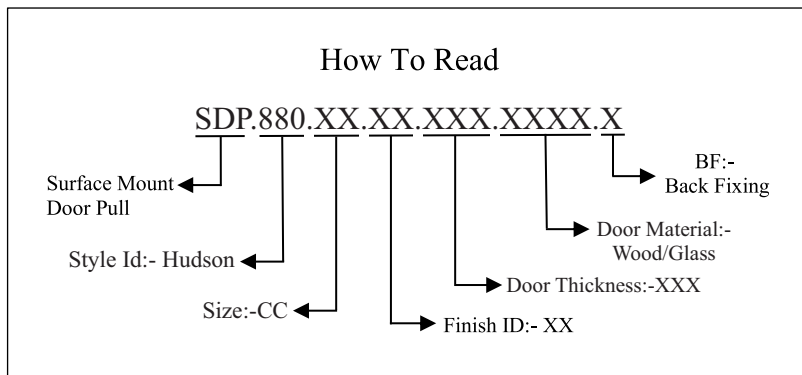
**SURFACE MOUNT BACK FIXING  
HANDLE ILLUSTRATED**



Required Tools



Step Wise Packing List			
S. No.	Part Number	Qty.	Steps
1	SDP.880.XX.XX.XXX.XXXX.X	1x	1
2	SLEEVE	1x	3
3	MSCCSKPH.XX	2x	3
4	SDP.BUSH	2x	3
5	LNKY.4	1x	3
6	WASHER	2x	3
7	SDP.CAP	2x	4
8	Manual	1x	-



SDP.880.XX.XX.XXX.XXXX.X

MSCCSKPH.XX

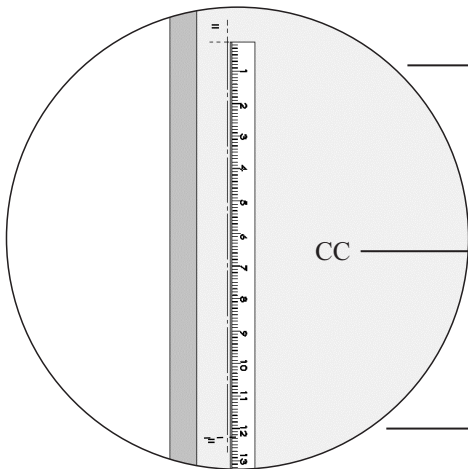
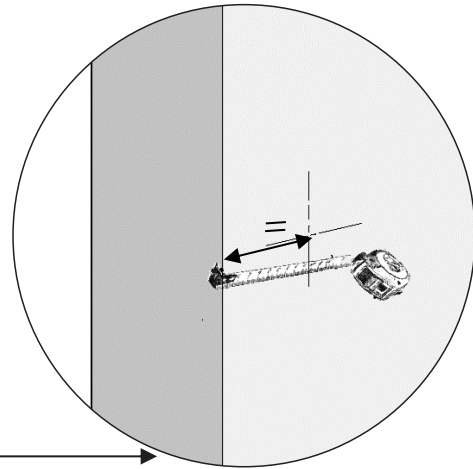
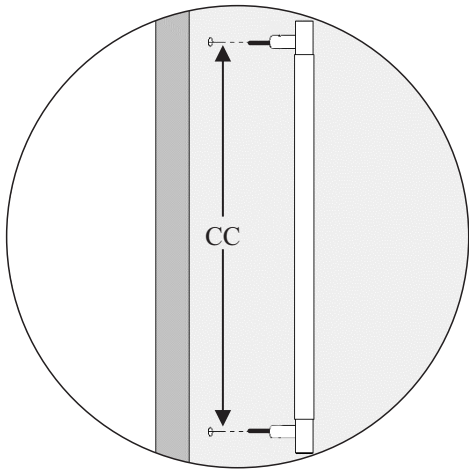
SDP.BUSH

LNKY 4

WASHER

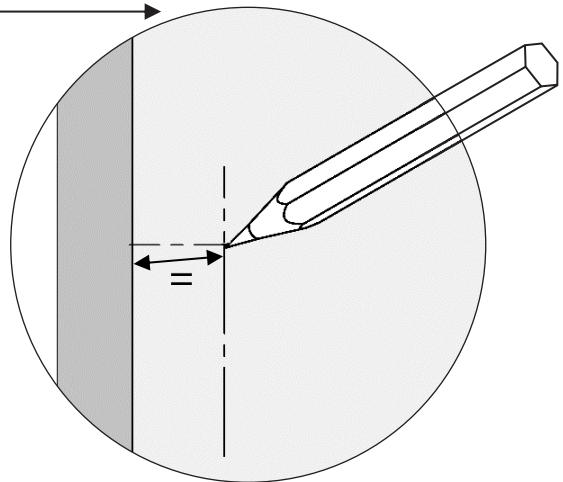
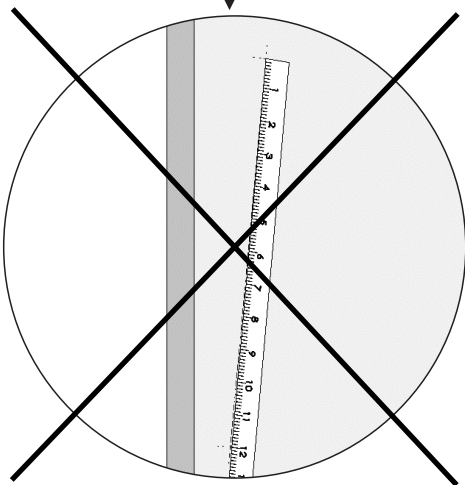
SDP.CAP

STEP-1

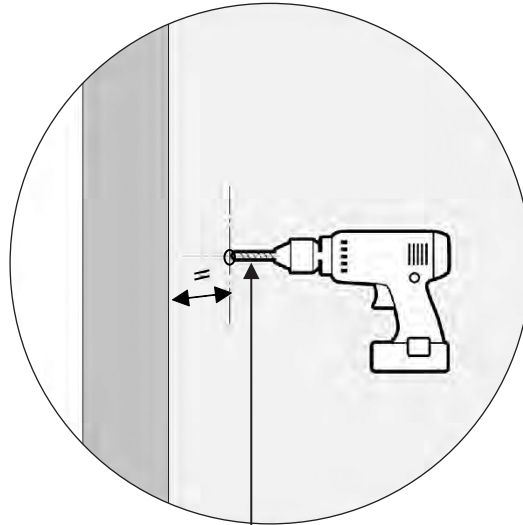
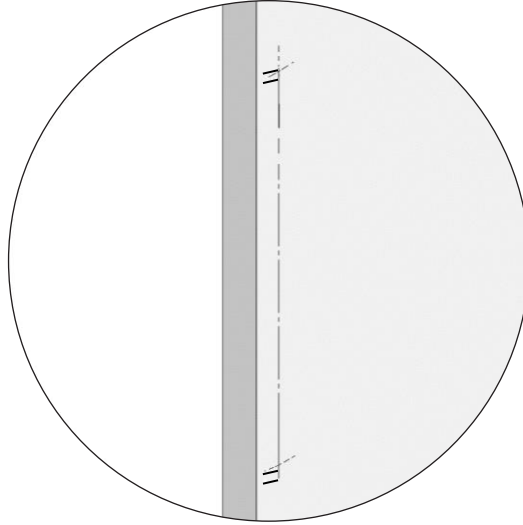


SDP.880.XX.XX.XXX.XXXX.X

Size:-CC  
12"  
18"



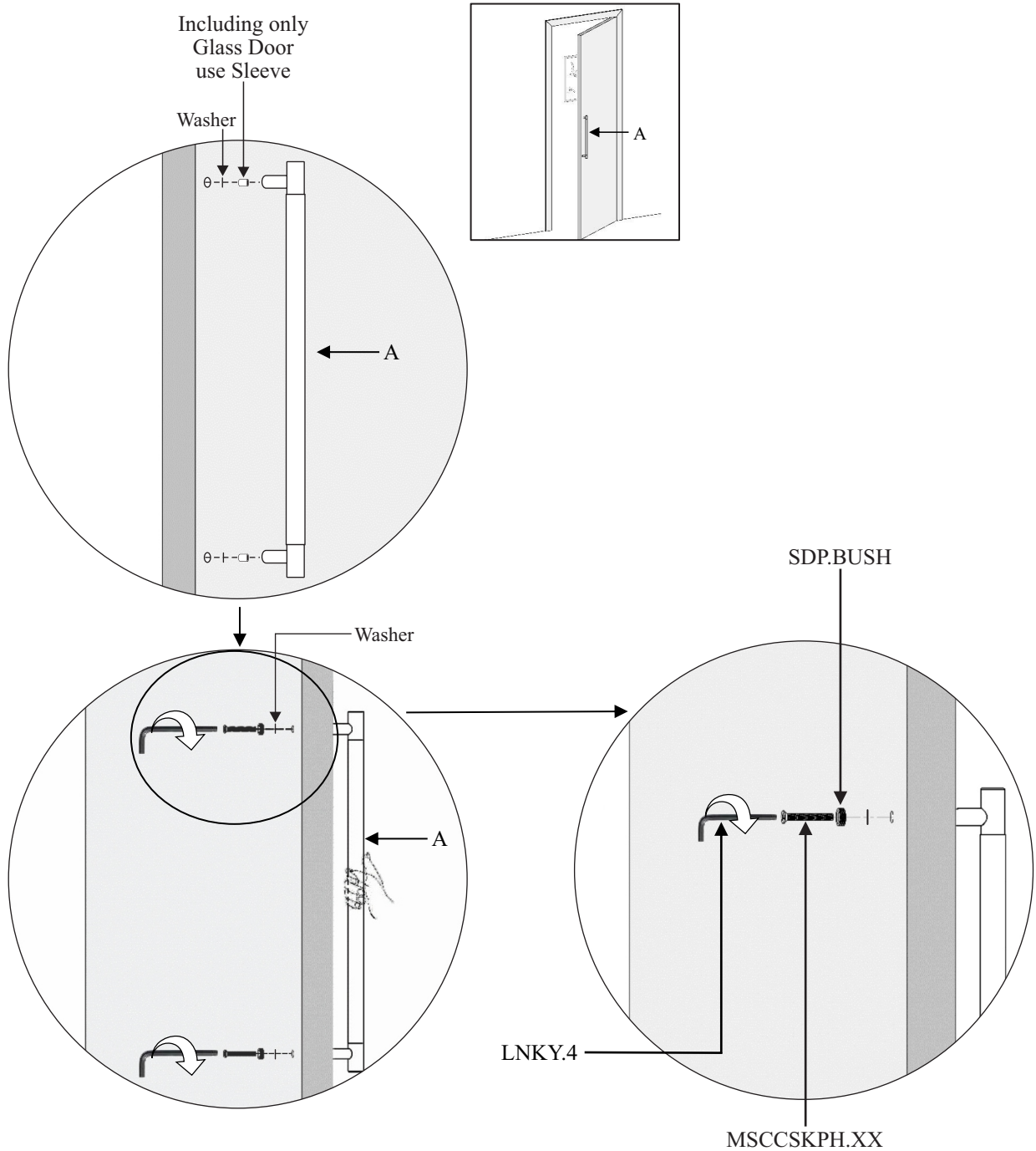
STEP-2



DRILL SIZE			
	Glass	Wood	Metal
SDP BF	3/8" (9.5mm)	1/4" (6.4mm)	1/4" (6.4mm)

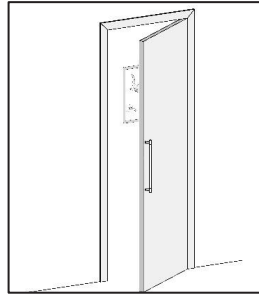
STEP-3

Step Wise Packing List			
S.No.	Part Number	Qty	Steps
2	SLEEVE	1x	3
3	MSCCSKPH.XX	2x	3
4	SDP.BUSH	2x	3
5	LNKY .4	1x	3
6	WASHER	2x	3



STEP-4

Step Wise Packing List			
S.No.	Part Number	Qty	Steps
7	SDP.CAP	2x	4



SDP.CAP

