



Matte Black (Finish ID:19)

## LANCASTER BACK TO BACK DOOR PULL

Item Code	Size (mm & Inches)	Material	Size (Inches)				Fig.
			A	B	C	D	
1 DDP.845.12".XX.XXX.XXXX	304.8mm (12")	Brass	12	0.94	12	2.01	1

"XX" in item code denotes Finish ID.  
 "XXX" in item code denotes Door Thickness.  
 "XXXX" in item code denotes Door Material.

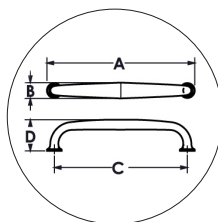
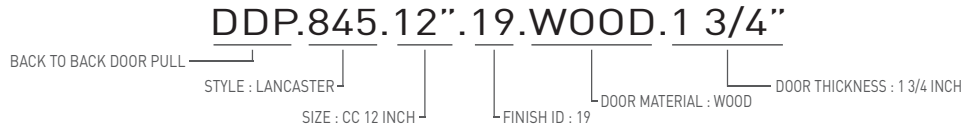


FIG. 1

This product is Supplied with Mounting Kit including with the Order.

## How to Order



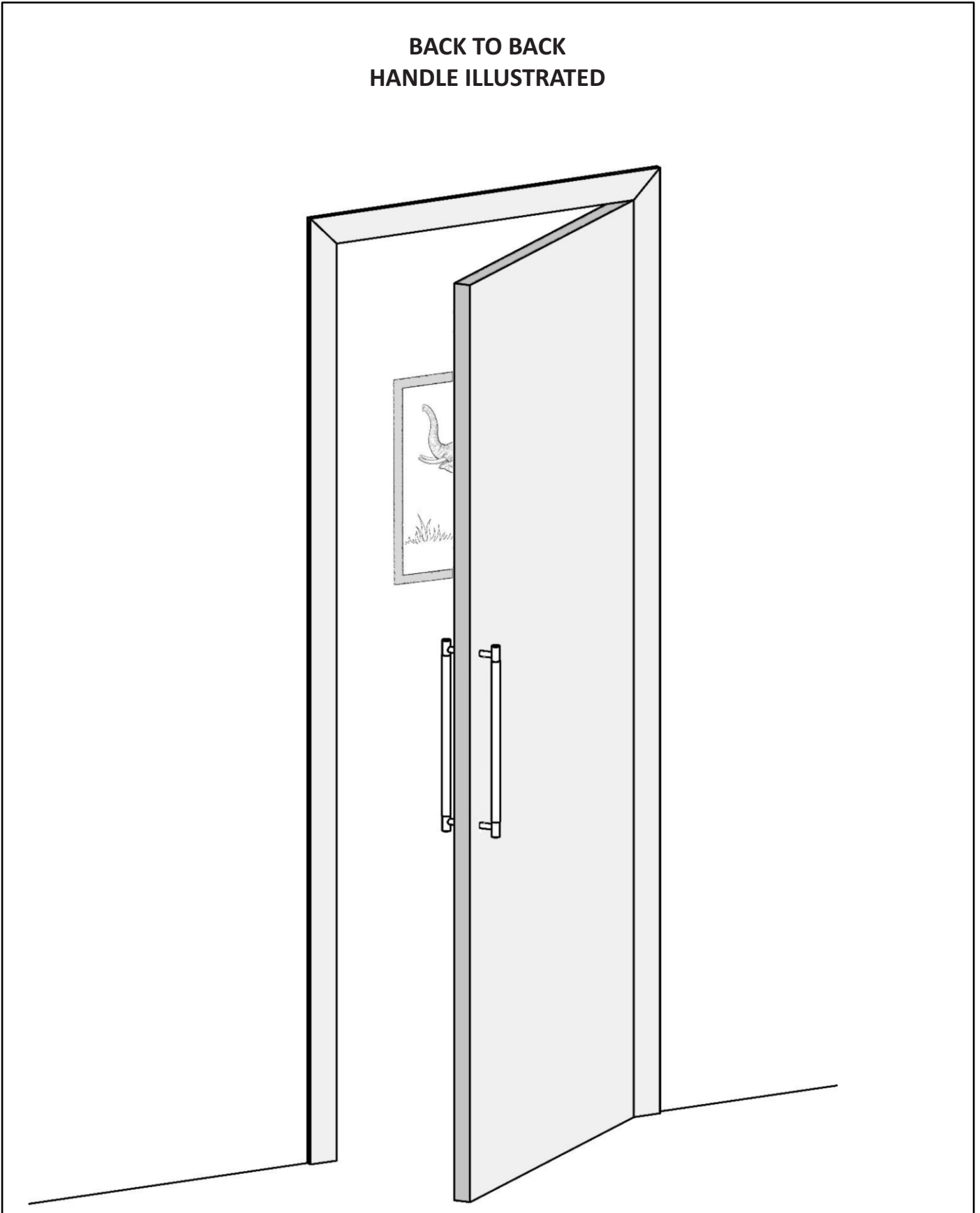
## Lancaster Back To Back Door Pull Finish Options

Base Material : Brass	Standard Finishes (2-3 Weeks Delivery)				
					
Bright Chrome (Finish ID:2)	Brush Nickel (Finish ID:3)	Aged Brass (Finish ID:4)	Unlacquered Polished Brass (Finish ID:7U)	Polished Nickel (Finish ID:8)	Satin Brass (Finish ID:13)
Base Material : Brass	Custom Finishes (3-4 Weeks Delivery)*				
					
Lacquered Polished Brass (Finish ID:7L)	Matte Black (Finish ID:19)	Graphite (Finish ID:61)	Ombre (Finish ID:92)	Brush Chrome (Finish ID:95)	

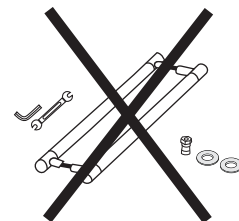
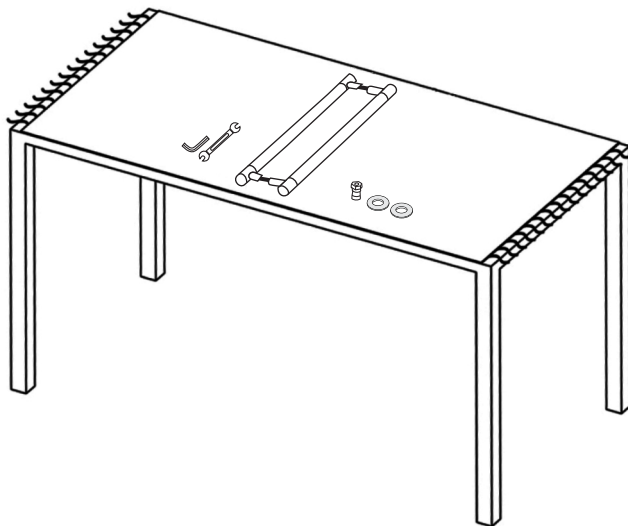
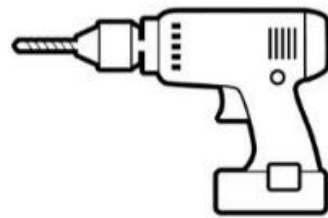
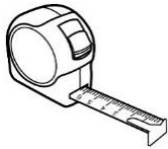
Door Material	Door Thickness
1. Wood	5/16", 3/8", 1/2", 3/4", 1", 1 1/4", 1 1/2", 1 3/4", 2", 2 1/4", 2 1/2"
2. Metal	5/16", 3/8", 1/2", 3/4", 1", 1 1/4", 1 1/2", 1 3/4", 2", 2 1/4", 2 1/2"
3. Glass	5/16", 3/8", 1/2", 3/4", 1"

- Custom finishes cannot be returned or refunded. We are unable to accept cancellations for custom finish order unless within 48 hours of the order being placed.
- We have uniform pricing for all non-hammered finishes listed above as long as base material and size is same.
- Contact us for customized finishes, refer pages F1, F2, F3 & F4 for finish glossary.

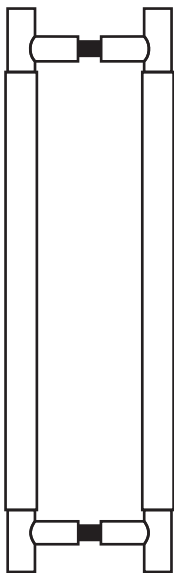
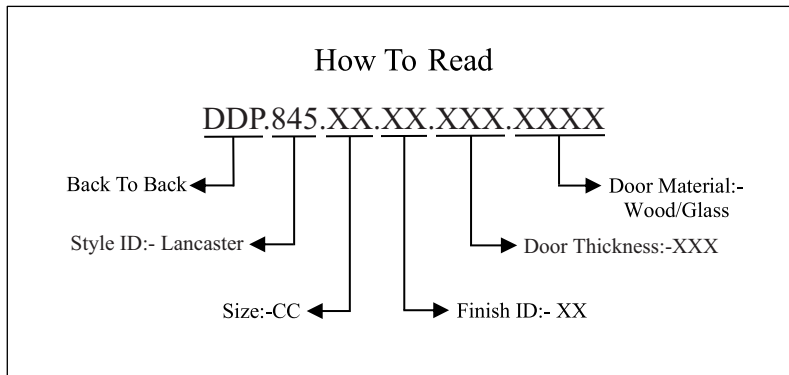
**BACK TO BACK  
HANDLE ILLUSTRATED**



Required Tools



Step Wise Packing List			
S.No.	Part Number	Qty	Steps
1	DDP.845.XX.XX.XXX.XXXX	1x	1
2	SLEEVE	1x	1
3	LNKY2.5	1x	1
4	INSERT	1x	1
5	WASHER	2x	1
6	DDP.SPANNER (No.10,11)	1x	4
7	Manual	1x	-



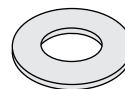
DDP.845.XX.XX.XXX.XXXX



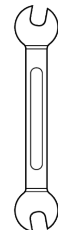
LNKY2.5



INSERT



WASHER

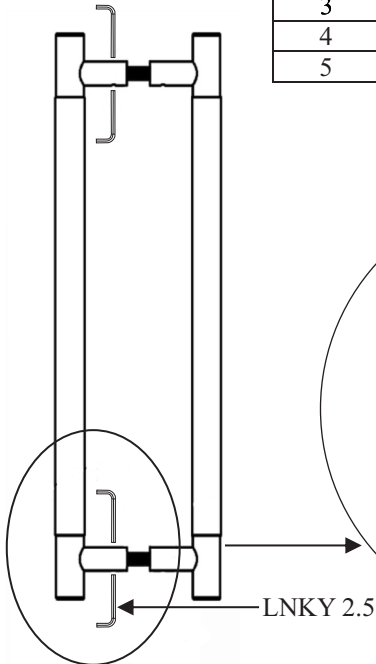


DDP.SPANNER (No.10,11)

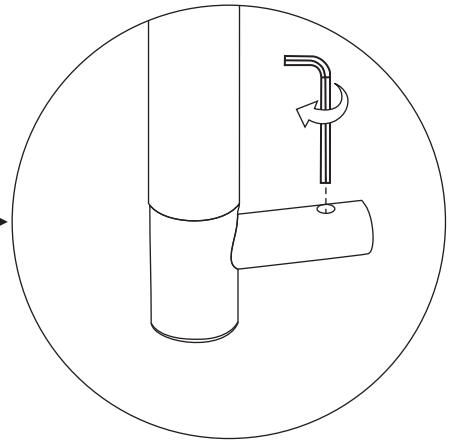
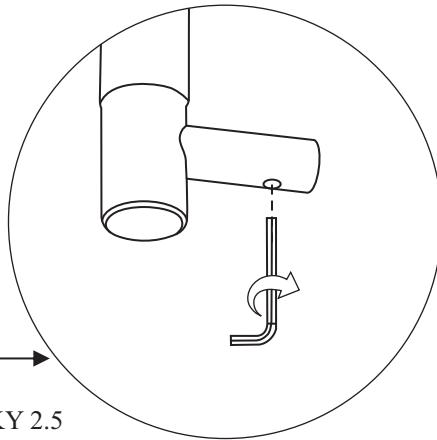


STEP-1

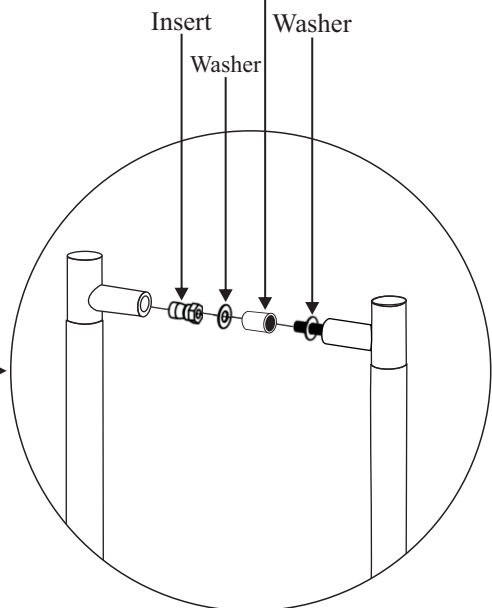
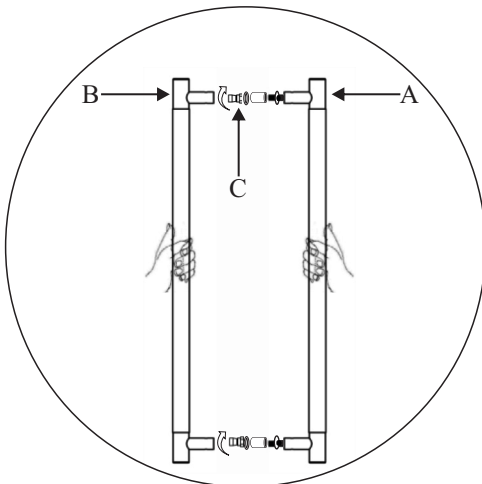
Step Wise Packing List			
S.No.	Part Number	Qty	Steps
1	DDP.845.XX.XX.XXX.XXXX	1x	1
2	SLEEVE	1x	1
3	LNKY2.5	1x	1
4	INSERT	1x	1
5	WASHER	2x	1



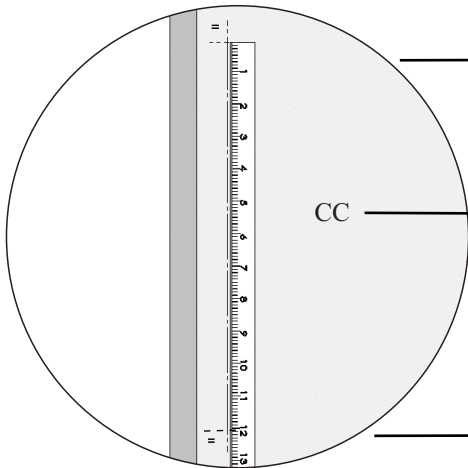
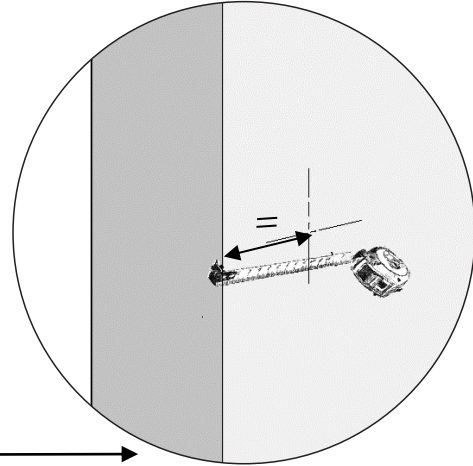
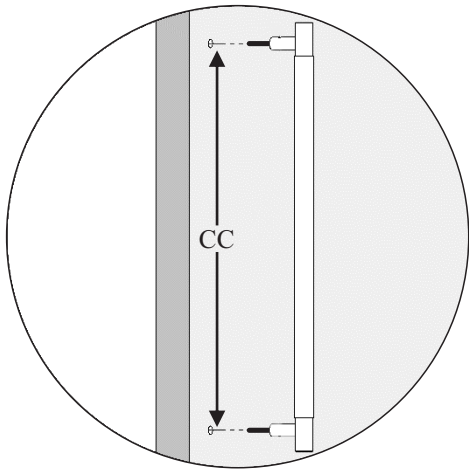
DDP.845.XX.XX.XXX.XXXX



Including only  
Glass Door  
use Sleeve

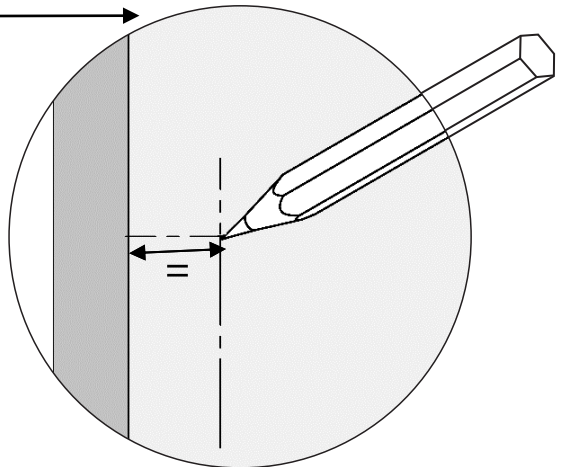
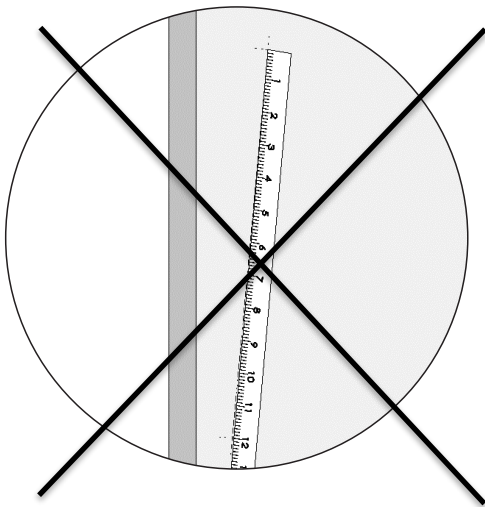


STEP-2

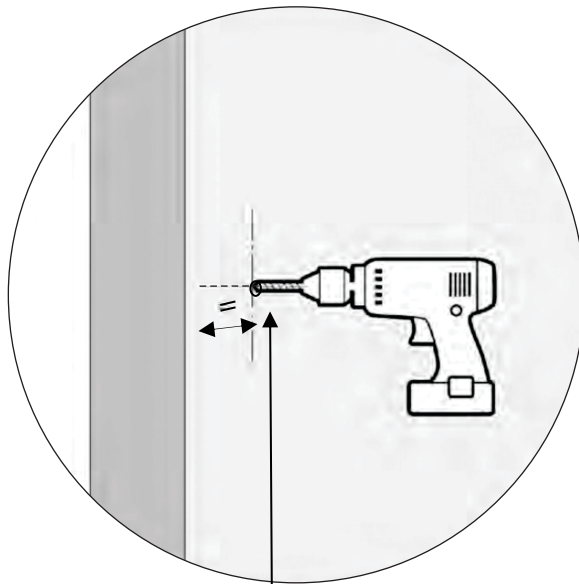
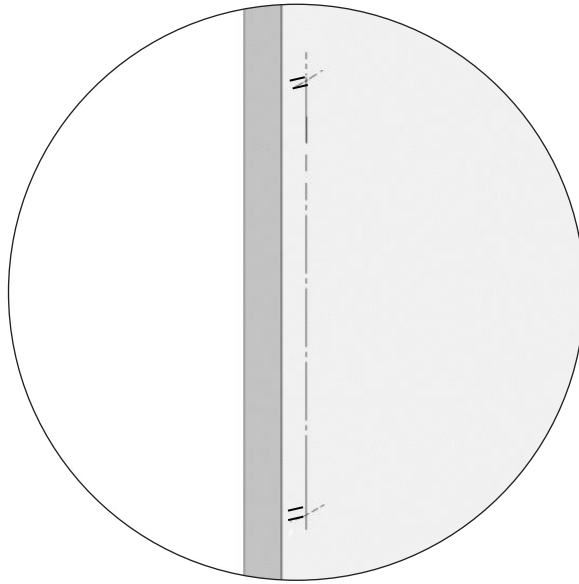


DDP.845.XX.XX.XXX.XXXX

Size:-CC  
↓  
12"



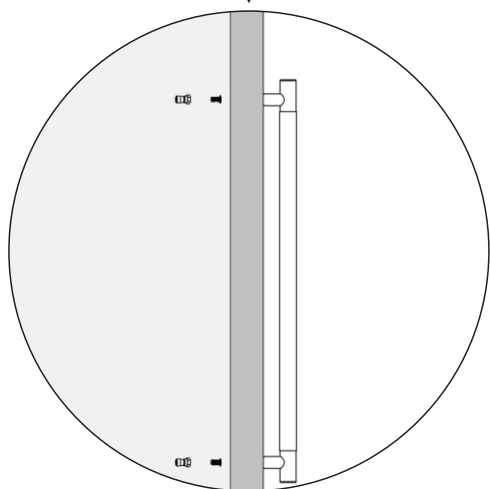
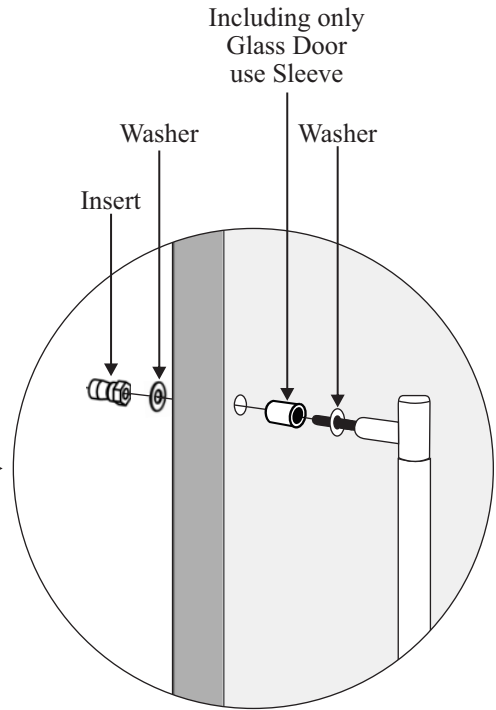
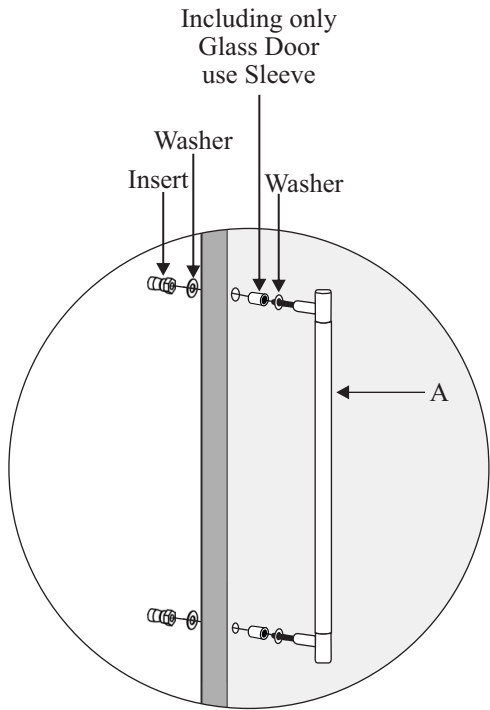
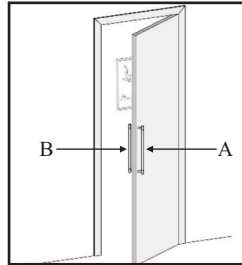
STEP-3



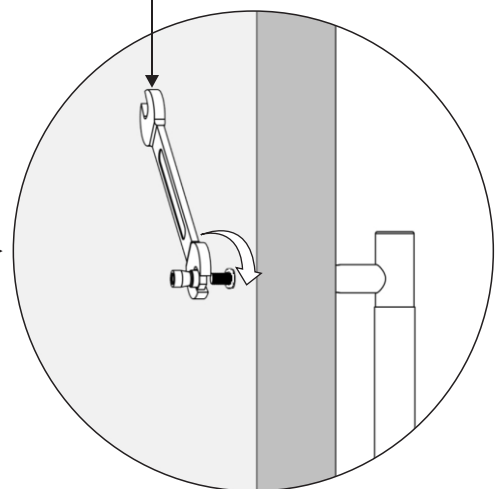
DRILL SIZE			
	Glass	Wood	Metal
<b>DDP</b>	3/8" (9.5mm)	1/4" (6.4mm)	1/4" (6.4mm)

## STEP-4

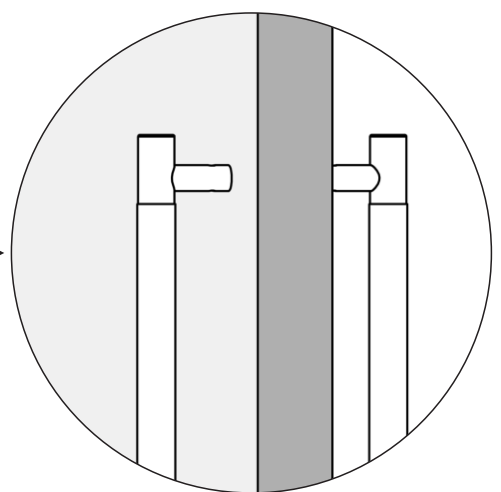
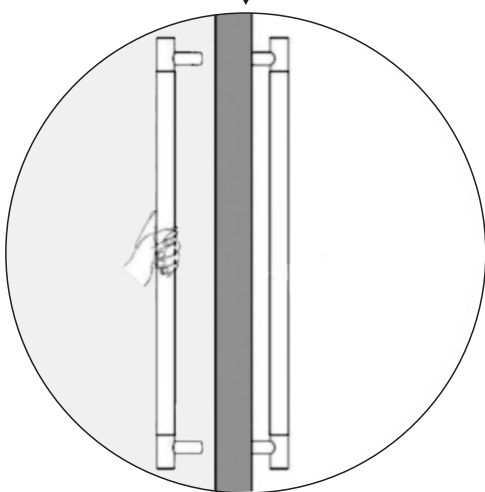
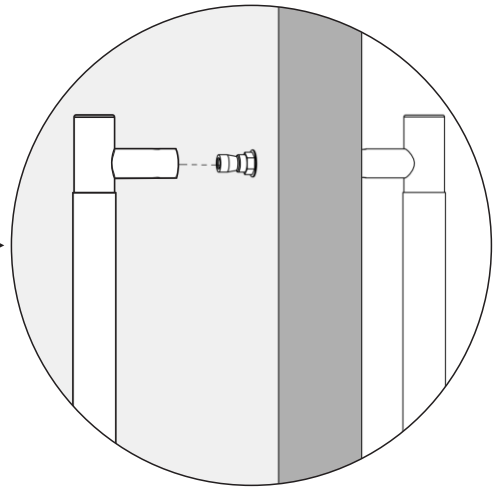
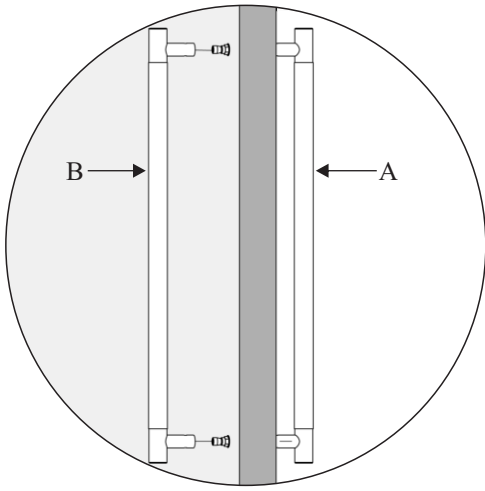
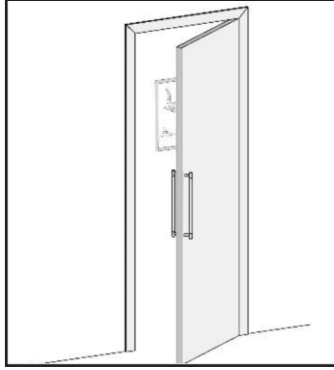
Step Wise Packing List			
S.No.	Part Number	Qty	Steps
6	DDP.SPANNER (No.10,11)	1x	4



DDP.SPANNER (No.10,11)



STEP-5



STEP-6

