



Polished Nickel (Finish ID:8)

HERITAGE BACK TO BACK DOOR PULL

“Stepped concentric circles of the end posts transition onto the curvilinear bar, classic clean lines can be further enhanced with tactile leather finished with exquisitely detailed saddle stitch.”

	Item Code	Size (mm & Inches)	Material	Size (Inches)				Fig.
				A	B	C	D	
1	DDP.626.12".XX.XXX.XXXX	304.8mm (12")	Brass	12.86	0.79	12	1.75	1
2	DDP.626.18".XX.XXX.XXXX	457.2mm (18")	Brass	18.86	0.79	18	1.75	1
3	DDP.626.24".XX.XXX.XXXX	609.6mm (24")	Brass	24.98	0.91	24	2.06	1
4	DDP.626.12".XX.XXX.XXXX	304.8mm (12")	Leather over Brass	12.86	0.79	12	1.75	1
5	DDP.626.18".XX.XXX.XXXX	457.2mm (18")	Leather over Brass	18.86	0.79	18	1.75	1
6	DDP.626.24".XX.XXX.XXXX	609.6mm (24")	Leather over Brass	24.98	0.91	24	2.06	1

"XX" in item code denotes Finish ID.
"XXX" in item code denotes Door Thickness.
"XXXX" in item code denotes Door Material.

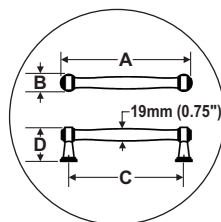
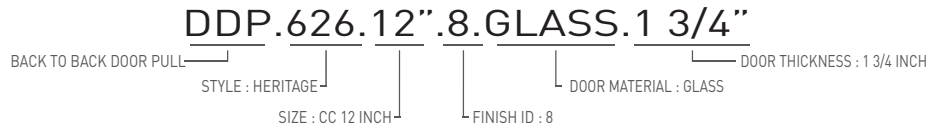




FIG. 1

This product is Supplied with Mounting Kit including with the Order.

How to Order



Heritage Back To Back Door Pull Finish Options

Base Material : Brass	Standard Finishes (2-3 Weeks Delivery)
<div style="display: flex; justify-content: space-around; align-items: center;"> <div style="text-align: center;">  Brush Nickel (Finish ID:3) </div> <div style="text-align: center;">  Unlacquered Polished Brass (Finish ID:7U) </div> <div style="text-align: center;">  Polished Nickel (Finish ID:8) </div> </div>	
Base Material : Brass	Custom Finishes (3-4 Weeks Delivery)*
<div style="display: grid; grid-template-columns: repeat(7, 1fr); gap: 10px;"> <!-- Row 1 --> <div style="text-align: center;">  Lacquered Polished Brass (Finish ID:7L) </div> <div style="text-align: center;">  Antique Copper (Finish ID:15) </div> <div style="text-align: center;">  Matte Black (Finish ID:19) </div> <div style="text-align: center;">  Split Black and Polished Nickel (Finish ID:48) </div> <div style="text-align: center;">  Split Black and Satin Brass (Finish ID:49) </div> <div style="text-align: center;">  Split Satin Brass and White (Finish ID:50) </div> <div style="text-align: center;">  Satin Copper (Finish ID:58) </div> <!-- Row 2 --> <div style="text-align: center;">  Split Black And Chrome (Finish ID:59) </div> <div style="text-align: center;">  Split Brush Nickel and Satin Brass (Finish ID:78) </div> <div style="text-align: center;">  Split Graphite and Satin Brass (Finish ID:90) </div> <div style="text-align: center;">  Split Graphite and Brush Chrome (Finish ID:91) </div> <div style="text-align: center;">  Ombre (Finish ID:92) </div> <div style="text-align: center;">  Split Graphite and Aged Brass (Finish ID:93) </div> </div>	
Base Material : Brass/Leather	Custom Finishes (3-4 Weeks Delivery)*
<div style="display: grid; grid-template-columns: repeat(7, 1fr); gap: 10px;"> <!-- Row 1 --> <div style="text-align: center;">  Split Unlacquered Polished Brass and Tan Leather (Finish ID:62) </div> <div style="text-align: center;">  Split Aged Brass and Tan Leather (Finish ID:63) </div> <div style="text-align: center;">  Split Satin Brass and Tan Leather (Finish ID:64) </div> <div style="text-align: center;">  Split Polished Nickel and Tan Leather (Finish ID:66) </div> <div style="text-align: center;">  Split Bright Chrome and Black Leather (Finish ID:67) </div> <div style="text-align: center;">  Split Polished Nickel and Pewter Leather (Finish ID:68) </div> <div style="text-align: center;">  Split Unlacquered Polished Brass and Pewter Leather (Finish ID:69) </div> <!-- Row 2 --> <div style="text-align: center;">  Split Brush Nickel and Tan Leather (Finish ID:70) </div> <div style="text-align: center;">  Split Grey Leather And Black (Finish ID:88) </div> <div style="text-align: center;">  Split White Distress Leather And Black (Finish ID:89) </div> <div style="text-align: center;">  Split Polished Nickel And Light Grey Leather (Finish ID:94) </div> </div>	

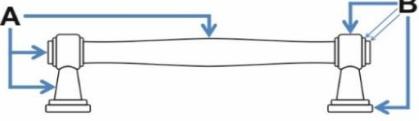
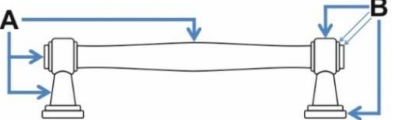
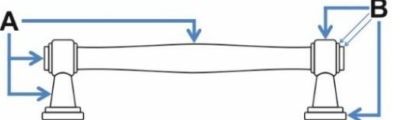
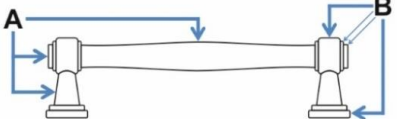
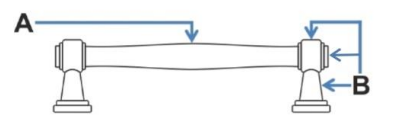
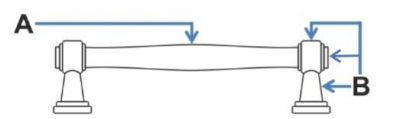
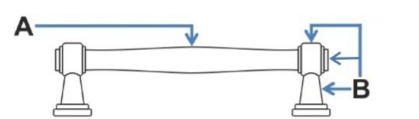
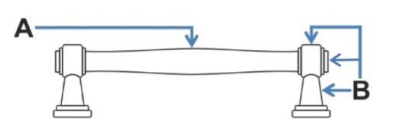
- Custom finishes cannot be returned or refunded. We are unable to accept cancellations for custom finish order unless within 48 hours of the order being placed.
- We have uniform pricing for all non-hammered finishes listed above as long as base material and size is same.
- Contact us for customized finishes, refer pages F1, F2, F3 & F4 for finish glossary.

Door Material	Door Thickness
1. Wood	5/16", 3/8", 1/2", 3/4", 1", 1 1/4", 1 1/2", 1 3/4", 2", 2 1/4", 2 1/2"
2. Metal	5/16", 3/8", 1/2", 3/4", 1", 1 1/4", 1 1/2", 1 3/4", 2", 2 1/4", 2 1/2"
3. Glass	5/16", 3/8", 1/2", 3/4", 1"

- Custom finishes cannot be returned or refunded. We are unable to accept cancellations for custom finish order unless within 48 hours of the order being placed.
- We have uniform pricing for all non-hammered finishes listed above as long as base material and size is same.
- Contact us for customized finishes, refer pages F1, F2, F3 & F4 for finish glossary.

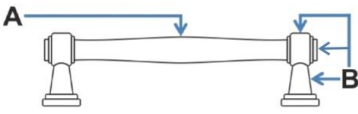
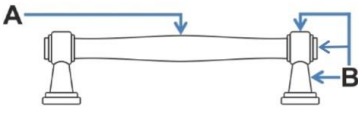
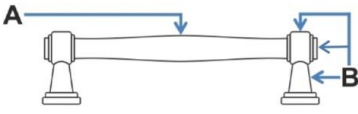
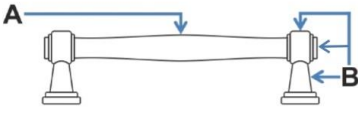
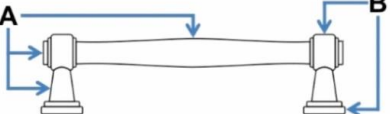
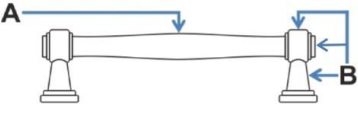
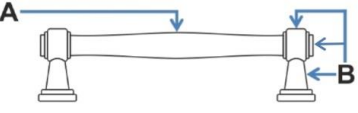
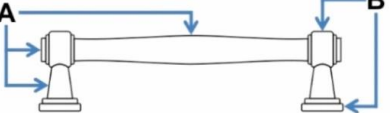
Heritage Back To Back Door Pull Split Finish

DDP.626.XX.XX

FINISH CODE (XX)	FINISH NAME	LINE DRAWING	A	B
DDP.626.XX.48	Split Black and Polished Nickel		Matte Black	Polished Nickel
DDP.626.XX.49	Split Black and Satin Brass		Matte Black	Satin Brass
DDP.626.XX.50	Split Satin Brass and White		White Epoxy	Satin Brass
DDP.626.XX.59	Split Black And Chrome		Matte Black	Bright Chrome
DDP.626.XX.62	Split Unlacquered Polished Brass and Tan Leather		Tan Leather	Unlacquered Polished Brass
DDP.626.XX.63	Split Aged Brass and Tan Leather		Tan Leather	Aged Brass
DDP.626.XX.64	Split Satin Brass and Tan Leather		Tan Leather	Satin Brass
DDP.626.XX.66	Split Polished Nickel and Tan Leather		Tan Leather	Polished Nickel

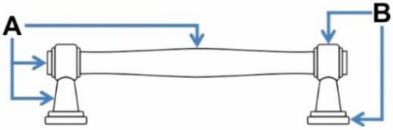
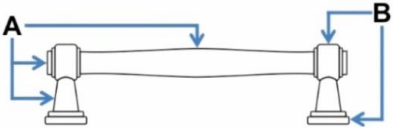
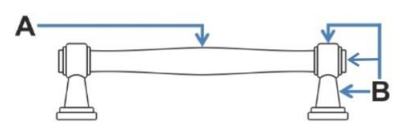
Heritage Back To Back Door Pull Split Finish

DDP.626.XX.XX

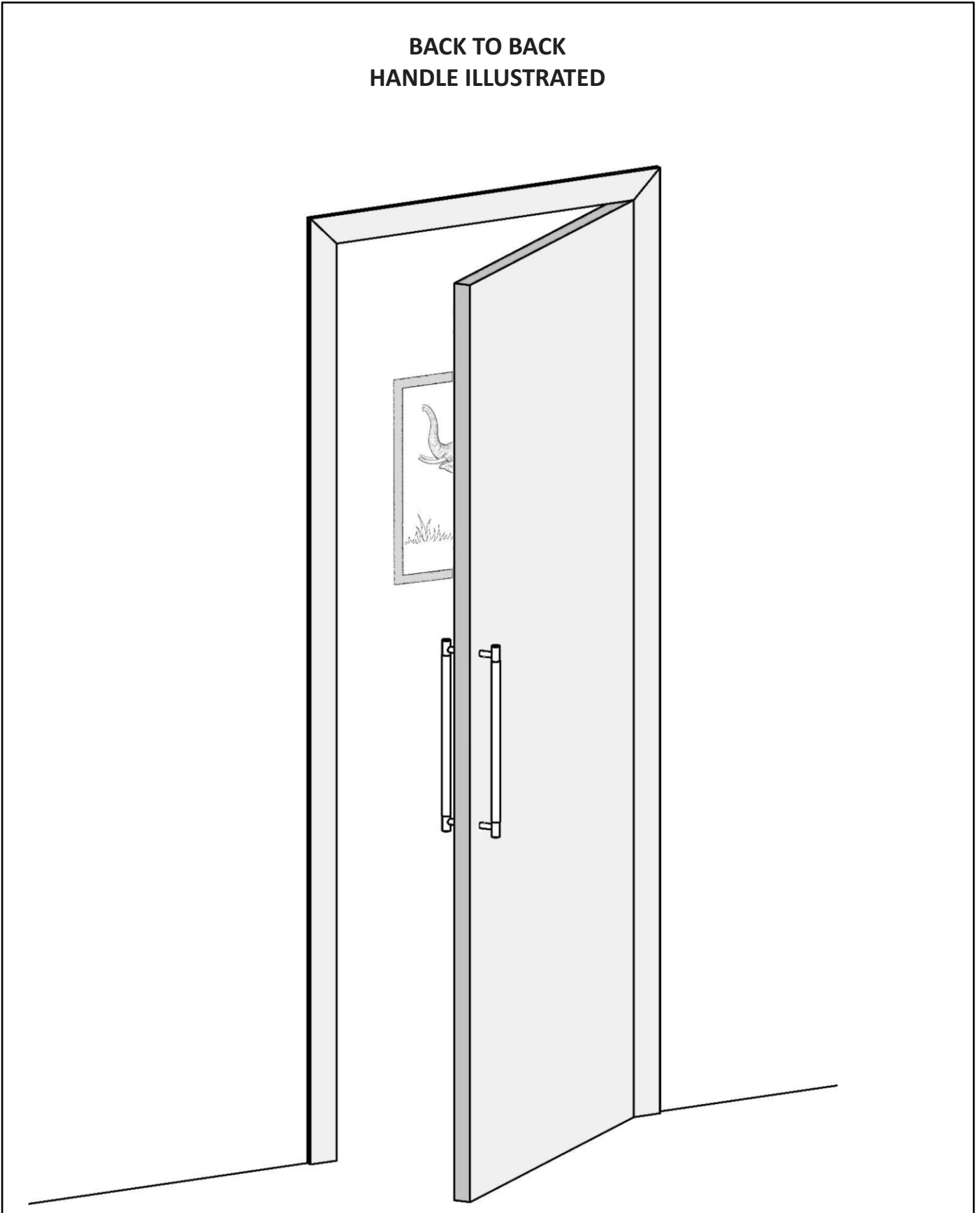
FINISH CODE (XX)	FINISH NAME	LINE DRAWING	A	B
DDP.626.XX.67	Split Bright Chrome and Black Leather		Black Leather	Bright Chrome
DDP.626.XX.68	Split Polished Nickel and Pewter Leather		Pewter Leather	Polished Nickel
DDP.626.XX.69	Split Unlacquered Polished Brass and Pewter Leather		Pewter Leather	Unlacquered Polished Brass
DDP.626.XX.70	Split Brush Nickel and Tan Leather		Tan Leather	Brush Nickel
DDP.626.XX.78	Split Brush Nickel and Satin Brass		Brush Nickel	Satin Brass
DDP.626.XX.88	Split Black and Dark Grey Leather		Dark Grey Leather	Matte Black
DDP.626.XX.89	Split Black and White Distress Leather		White Distress Leather	Matte Black
DDP.626.XX.90	Split Graphite and Satin Brass		Graphite	Satin Brass

Heritage Back To Back Door Pull Split Finish

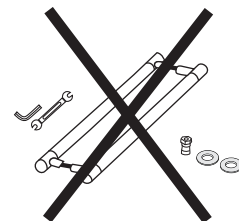
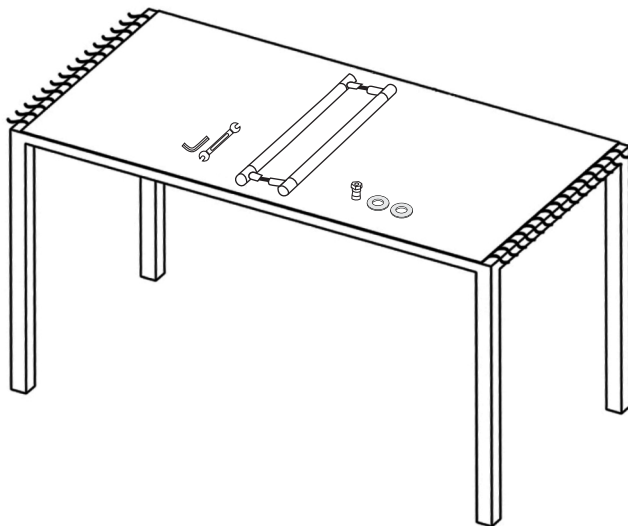
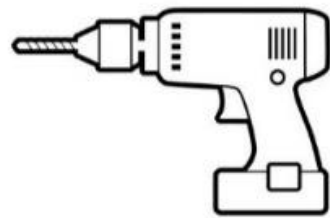
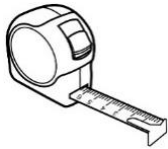
DDP.626.XX.XX

FINISH CODE (XX)	FINISH NAME	LINE DRAWING	A	B
DDP.626.XX.91	Split Graphite and Brush Chrome		Graphite	Brush Chrome
DDP.626.XX.93	Split Graphite and Aged Brass		Graphite	Aged Brass
DDP.626.XX.94	Split Polished Nickel and Light Grey Leather		Light Grey Leather	Polished Nickel

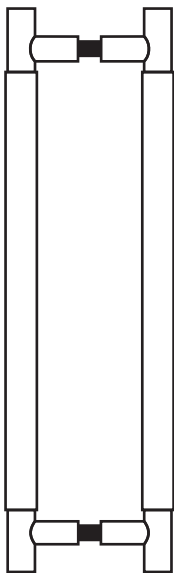
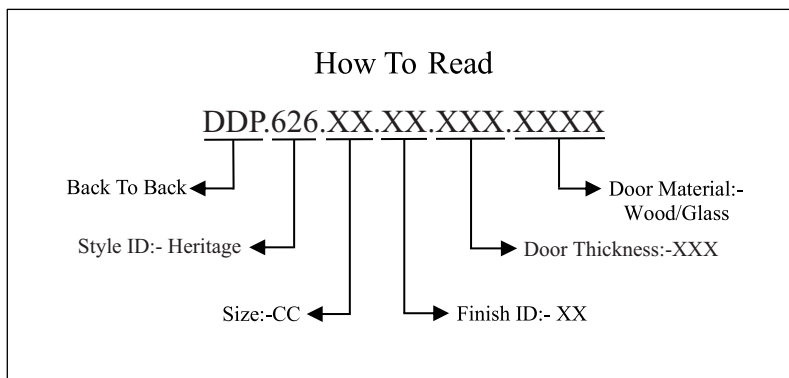
**BACK TO BACK
HANDLE ILLUSTRATED**



Required Tools



Step Wise Packing List			
S.No.	Part Number	Qty	Steps
1	DDP.626.XX.XX.XXX.XXXX	1x	1
2	SLEEVE	1x	1
3	LNKY2.5	1x	1
4	INSERT	1x	1
5	WASHER	2x	1
6	DDP.SPANNER (No.10,11)	1x	4
7	Manual	1x	-



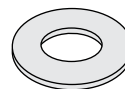
DDP.626.XX.XX.XXX.XXXX



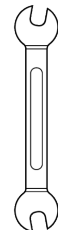
LNKY2.5



INSERT



WASHER

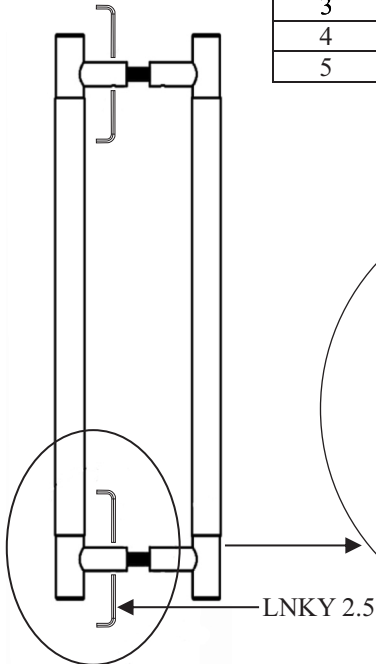


DDP.SPANNER (No.10,11)

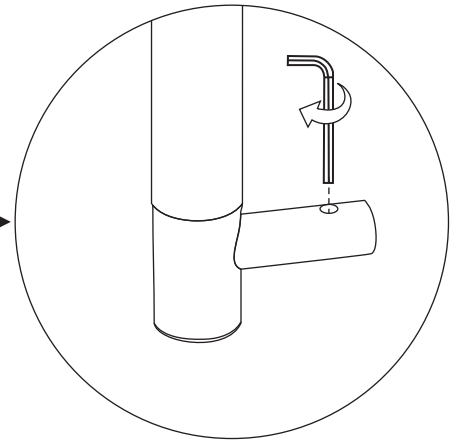
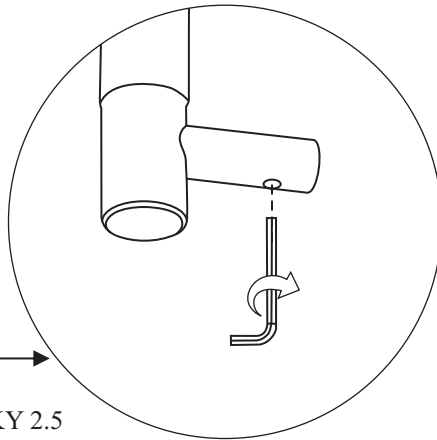


STEP-1

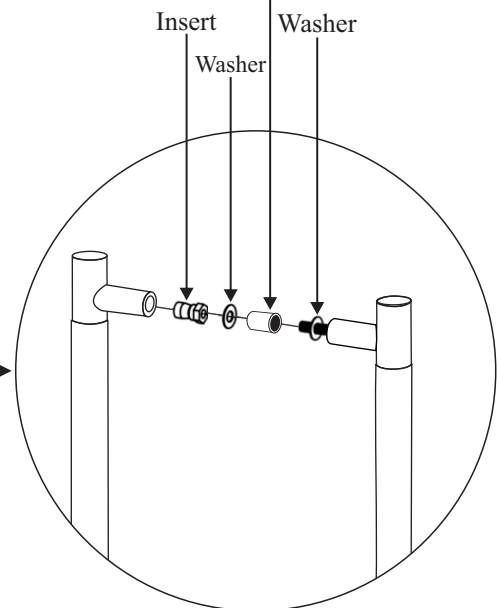
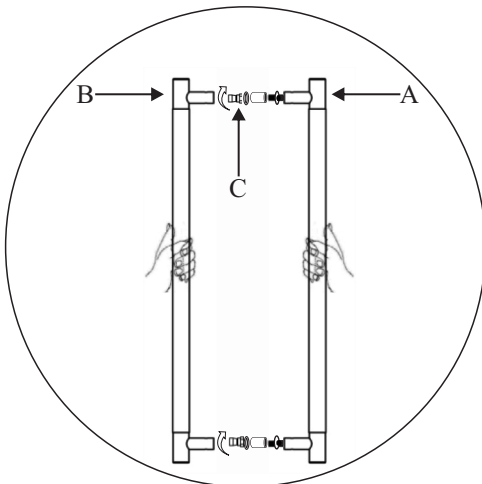
Step Wise Packing List			
S.No.	Part Number	Qty	Steps
1	DDP.626.XX.XX.XXX.XXXX	1x	1
2	SLEEVE	1x	1
3	LNKY2.5	1x	1
4	INSERT	1x	1
5	WASHER	2x	1



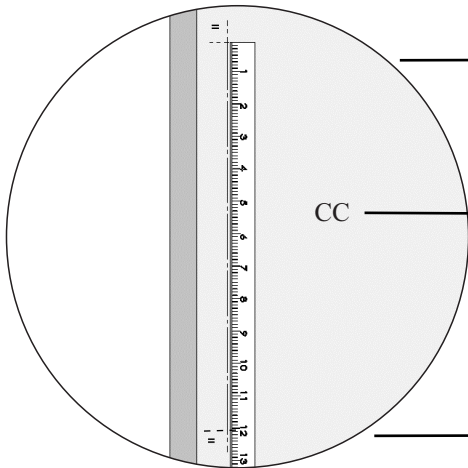
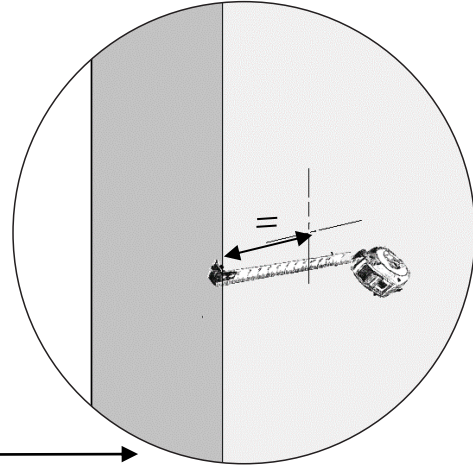
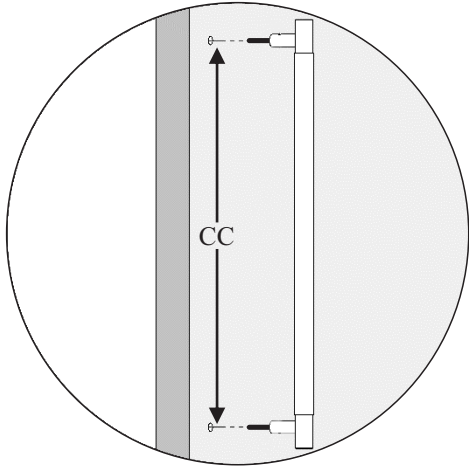
DDP.626.XX.XX.XXX.XXXX



Including only
Glass Door
use Sleeve

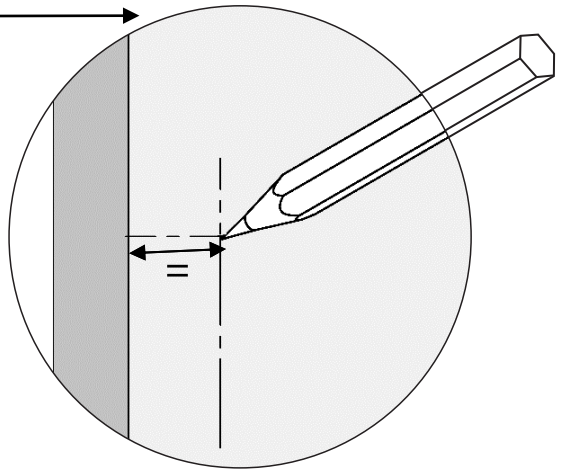
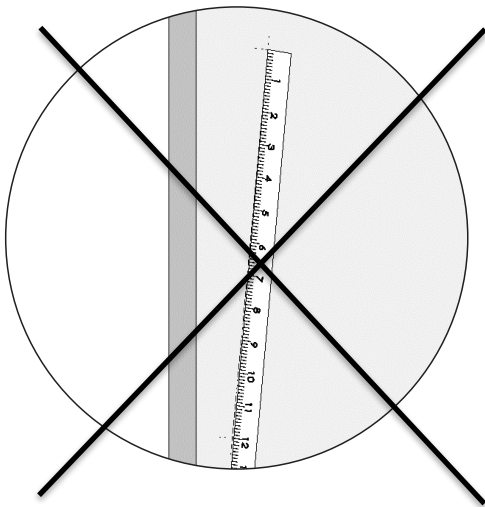


STEP-2

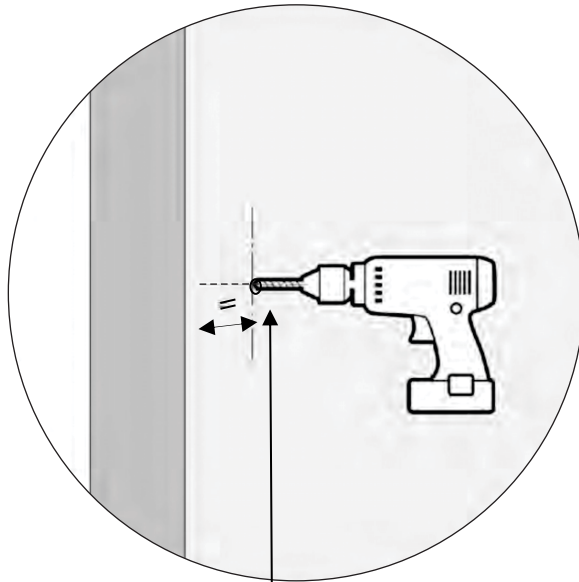
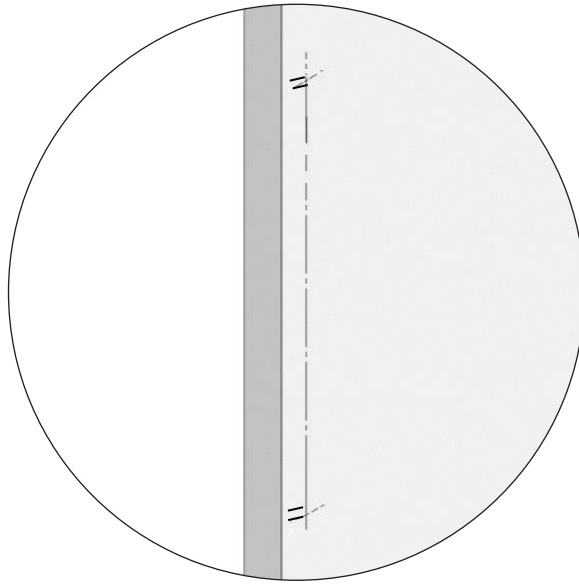


DDP.626.XX.XX.XXX.XXXX

Size:-CC
↓
12"
18"
24"



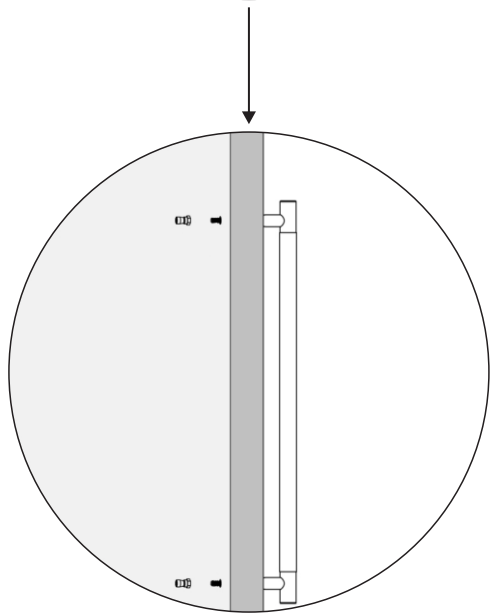
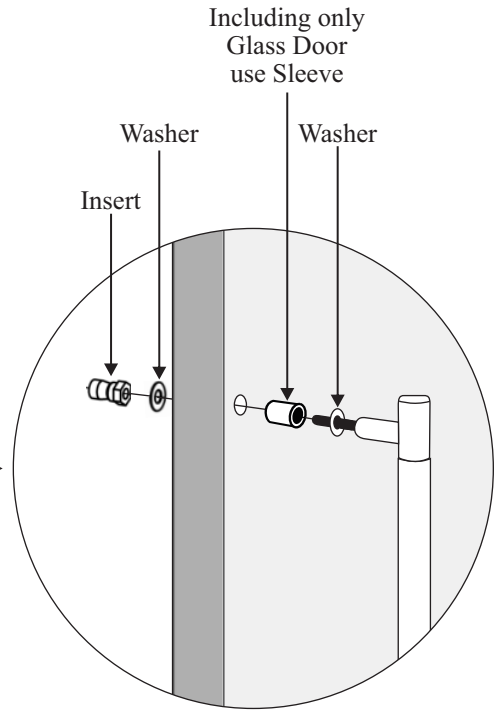
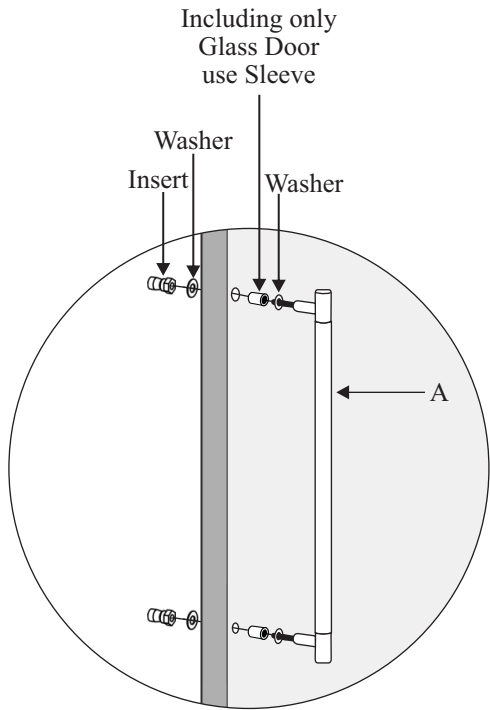
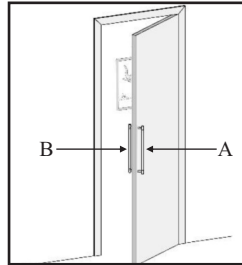
STEP-3



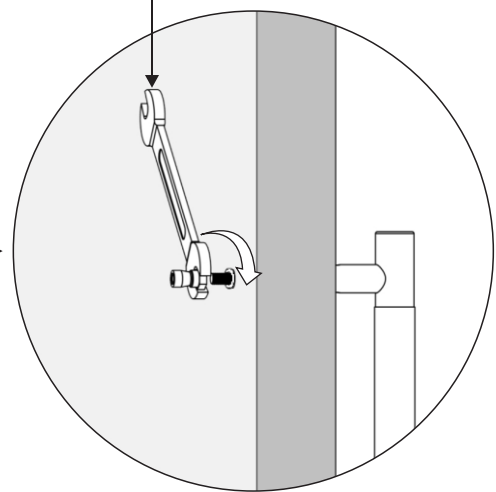
DRILL SIZE			
	Glass	Wood	Metal
DDP	3/8" (9.5mm)	1/4" (6.4mm)	1/4" (6.4mm)

STEP-4

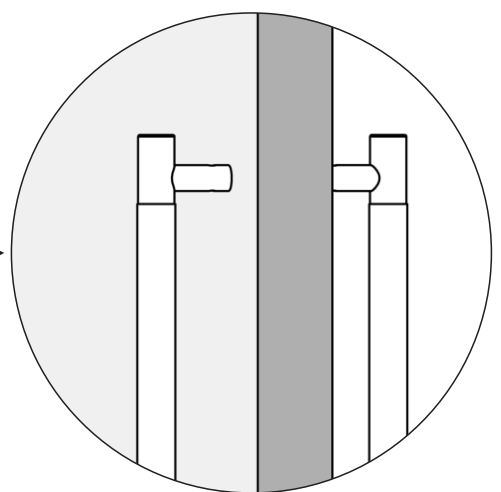
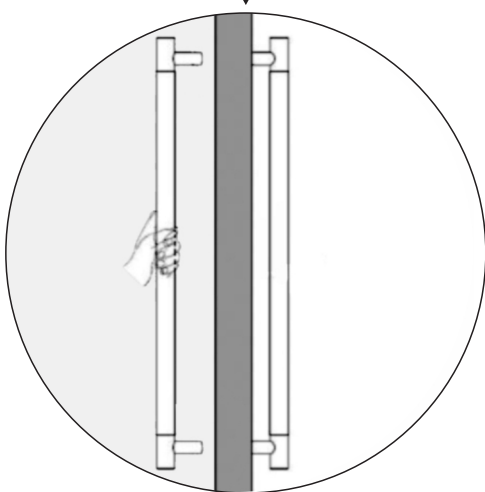
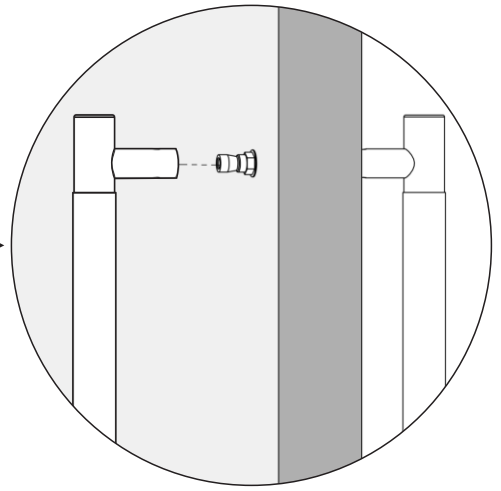
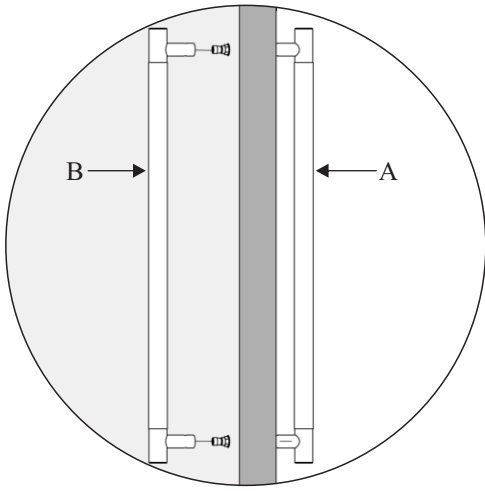
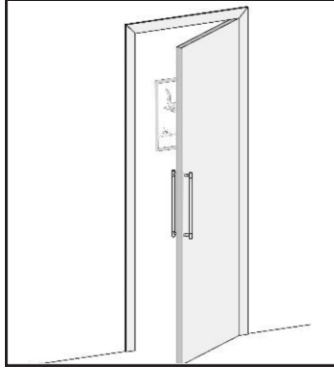
Step Wise Packing List			
S.No.	Part Number	Qty	Steps
6	DDP.SPANNER (No.10,11)	1x	4



DDP.SPANNER (No.10,11)



STEP-5



STEP-6

