



Aged Brass (Finish ID:4)

## JAZZ II BACK TO BACK DOOR PULL

	Item Code	Size (mm & Inches)	Material	Size (Inches)				Fig.
				A	B	C	D	
1	DDP.1038.8".XX.XXX.XXXX	203.2mm (8")	Brass	12.5	0.87	8	2.13	1
2	DDP.1038.12".XX.XXX.XXXX	304.8mm (12")	Brass	16.5	0.87	12	2.13	1
3	DDP.1038.18".XX.XXX.XXXX	457.2mm (18")	Brass	22.5	0.87	18	2.13	1
4	DDP.1038.24".XX.XXX.XXXX	609.6mm (24")	Brass	28.5	0.87	24	2.13	1

"XX" in item code denotes Finish ID.  
 "XXX" in item code denotes Door Thickness.  
 "XXXX" in item code denotes Door Material.

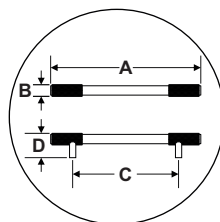
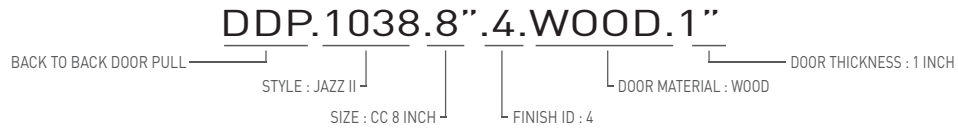


FIG. 1

This product is Supplied with Mounting Kit including with the Order.

## How to Order



## Jazz II Back To Back Door Pull Finish Options

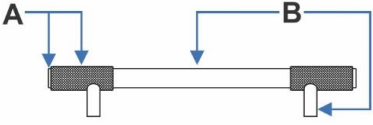
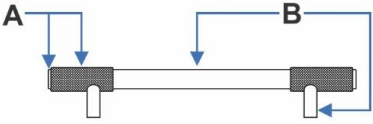
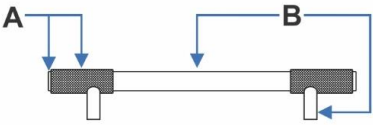
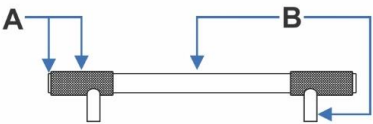
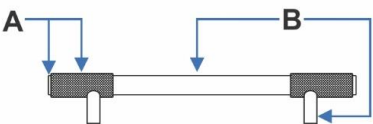
Base Material : Brass	Standard Finishes (2-3 Weeks Delivery)					
<p>Brush Nickel (Finish ID:3)</p>	<p>Aged Brass (Finish ID:4)</p>	<p>Unlacquered Polished Brass (Finish ID:7U)</p>	<p>Polished Nickel (Finish ID:8)</p>	<p>Satin Brass (Finish ID:13)</p>		
Base Material : Brass	Custom Finishes (3-4 Weeks Delivery)*					
<p>Lacquered Polished Brass (Finish ID:7L)</p>	<p>Split Black and Polished Nickel (Finish ID:48)</p>	<p>Split Black and Satin Brass (Finish ID:49)</p>	<p>Split Black and Chrome (Finish ID:59)</p>	<p>Split Graphite and Brush Chrome (Finish ID:91)</p>	<p>Ombre (Finish ID:92)</p>	<p>Split Graphite and Aged Brass (Finish ID:93)</p>

Door Material	Door Thickness
1. Wood	5/16", 3/8", 1/2", 3/4", 1", 1 1/4", 1 1/2", 1 3/4", 2", 2 1/4", 2 1/2"
2. Metal	5/16", 3/8", 1/2", 3/4", 1", 1 1/4", 1 1/2", 1 3/4", 2", 2 1/4", 2 1/2"
3. Glass	5/16", 3/8", 1/2", 3/4", 1"

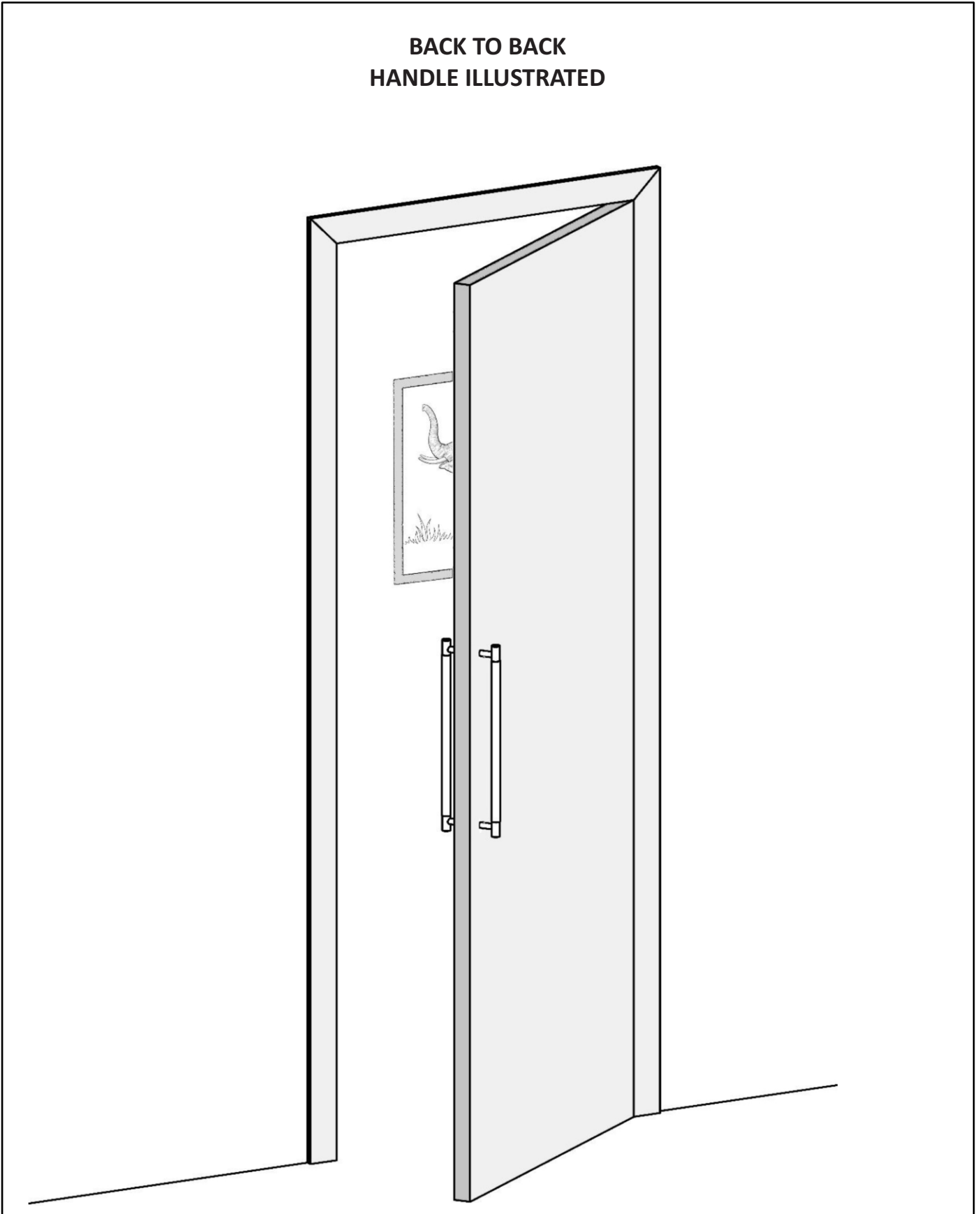
- Custom finishes cannot be returned or refunded. We are unable to accept cancellations for custom finish order unless within 48 hours of the order being placed.
- We have uniform pricing for all non-hammered finishes listed above as long as base material and size is same.
- Contact us for customized finishes, refer pages F1, F2, F3 & F4 for finish glossary.

**Jazz II Back To Back Door Pull Split Finish**

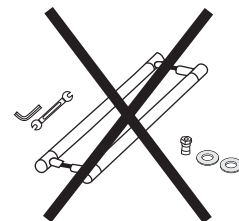
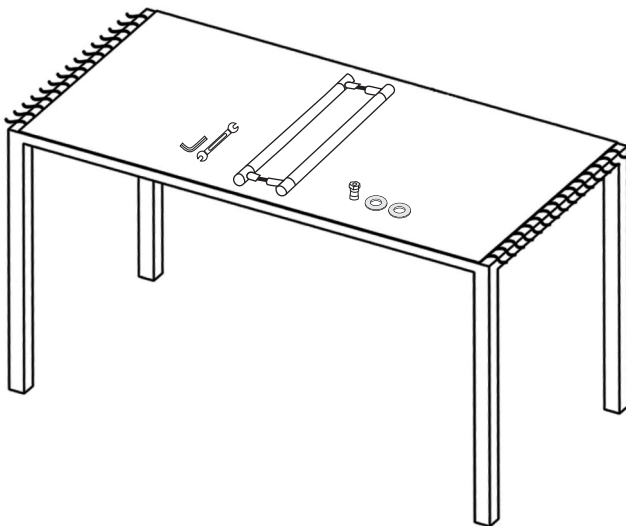
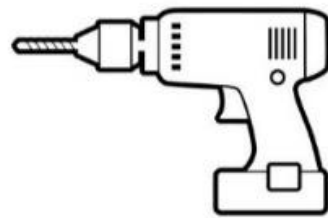
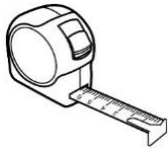
**DDP.1038.XX.XX**

FINISH CODE (XX)	FINISH NAME	LINE DRAWING	A	B
DDP.1038.XX.48	Split Black and Polished Nickel		Matte Black	Polished Nickel
DDP.1038.XX.49	Split Black and Satin Brass		Matte Black	Satin Brass
DDP.1038.XX.59	Split Black and Chrome		Matte Black	Bright Chrome
DDP.1038.XX.91	Split Graphite and Brush Chrome		Graphite	Brush Chrome
DDP.1038.XX.93	Split Graphite and Aged Brass		Graphite	Aged Brass

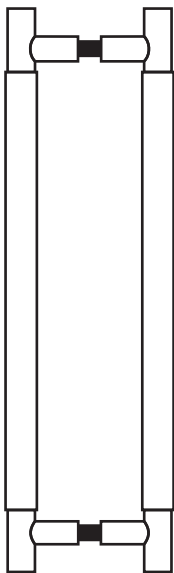
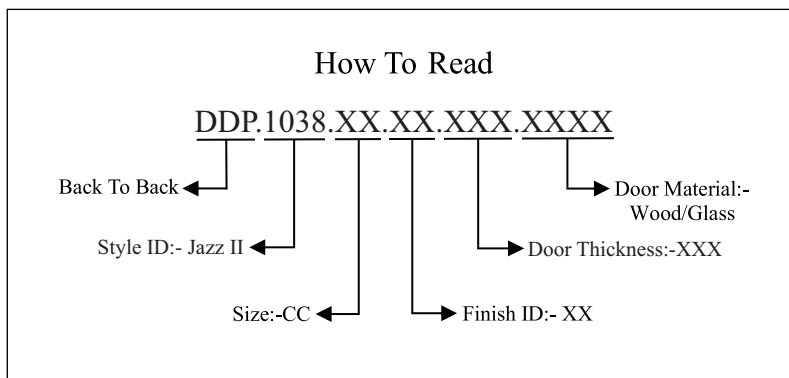
**BACK TO BACK  
HANDLE ILLUSTRATED**



Required Tools



Step Wise Packing List			
S.No.	Part Number	Qty	Steps
1	DDP.1038.XX.XX.XXX.XXXX	1x	1
2	SLEEVE	1x	1
3	LNKY2.5	1x	1
4	INSERT	1x	1
5	WASHER	2x	1
6	DDP.SPANNER (No.10,11)	1x	4
7	Manual	1x	-



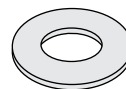
DDP.1038.XX.XX.XXX.XXXX



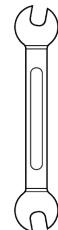
LNKY2.5



INSERT



WASHER

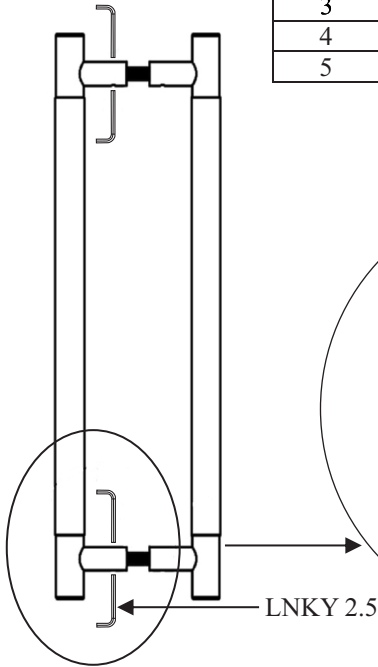


DDP.SPANNER (No.10,11)

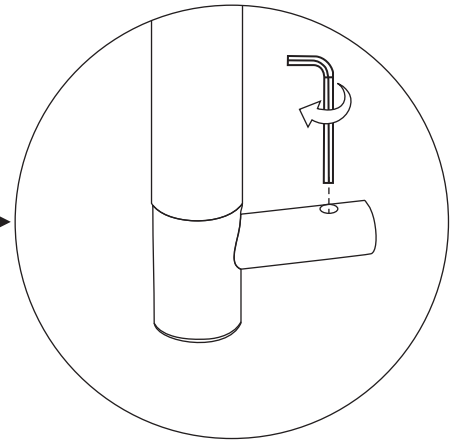
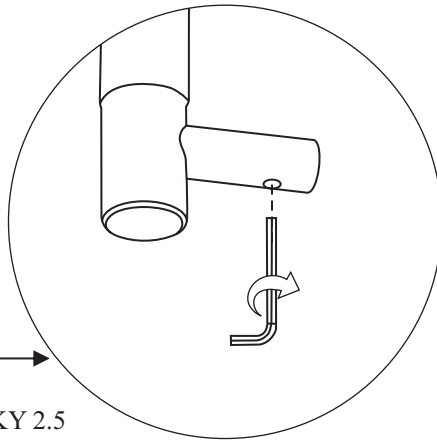


STEP-1

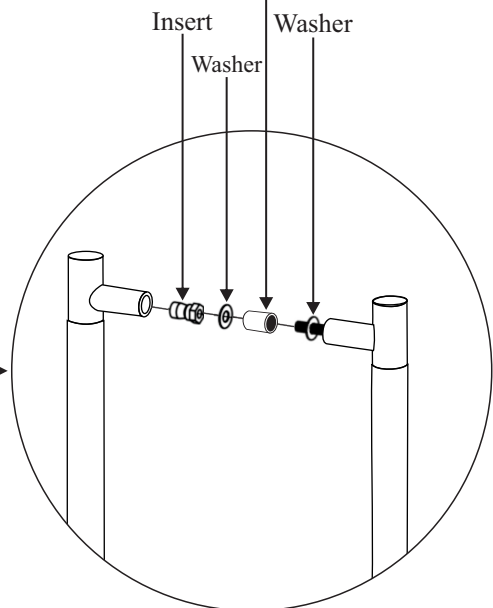
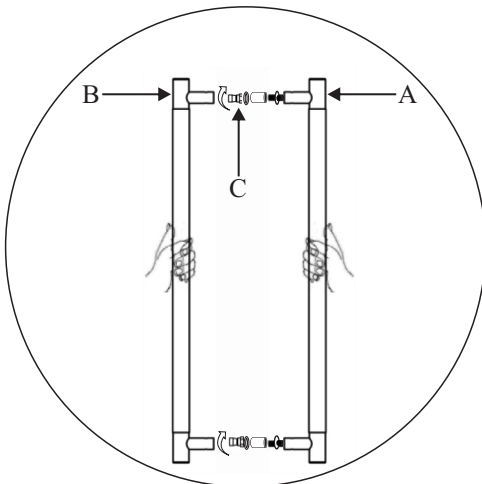
Step Wise Packing List			
S.No.	Part Number	Qty	Steps
1	DDP.1038.XX.XX.XXX.XXXX	1x	1
2	SLEEVE	1x	1
3	LNKY2.5	1x	1
4	INSERT	1x	1
5	WASHER	2x	1



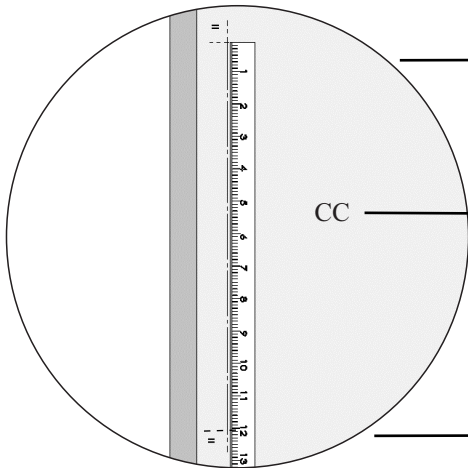
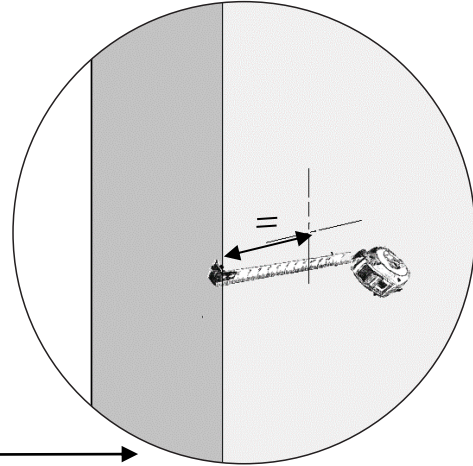
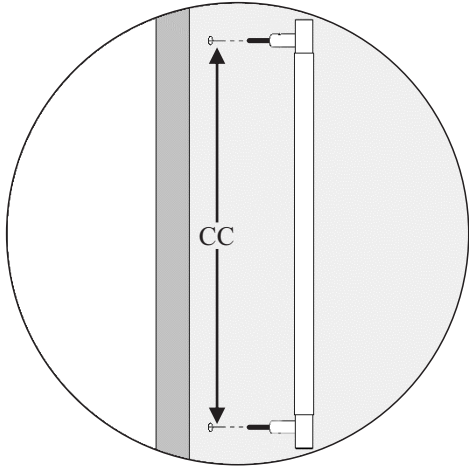
DDP.1038.XX.XX.XXX.XXXX



Including only  
Glass Door  
use Sleeve

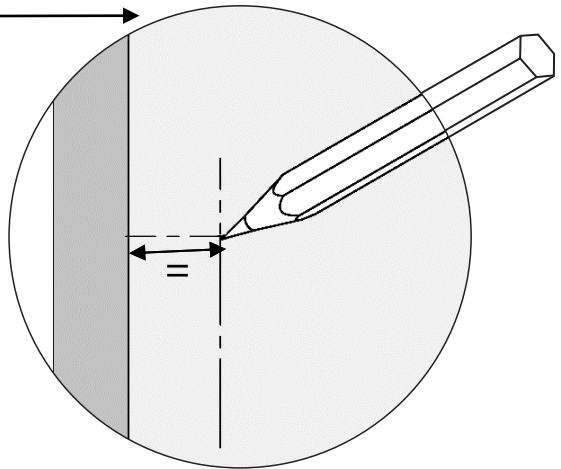
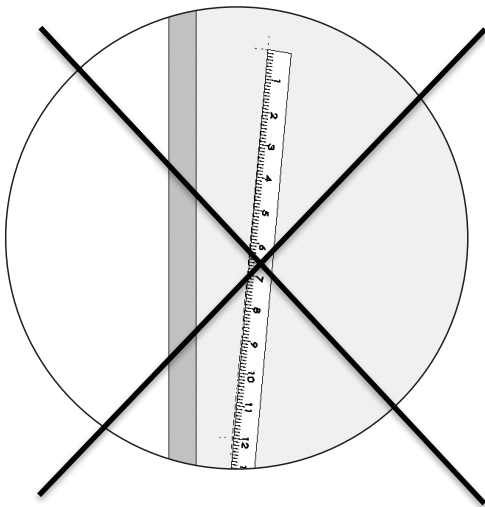


STEP-2

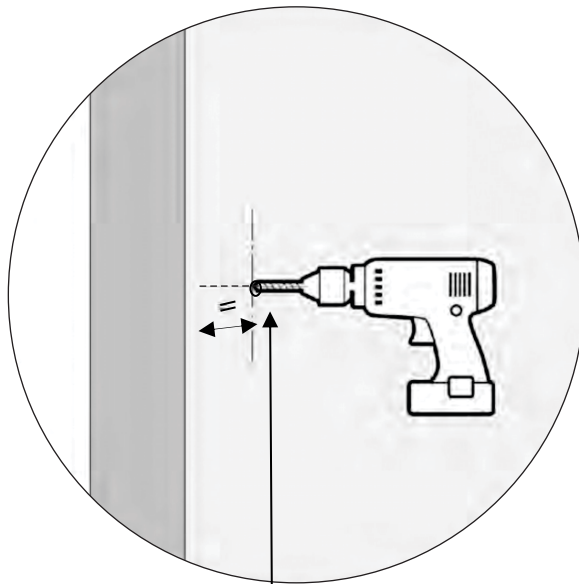
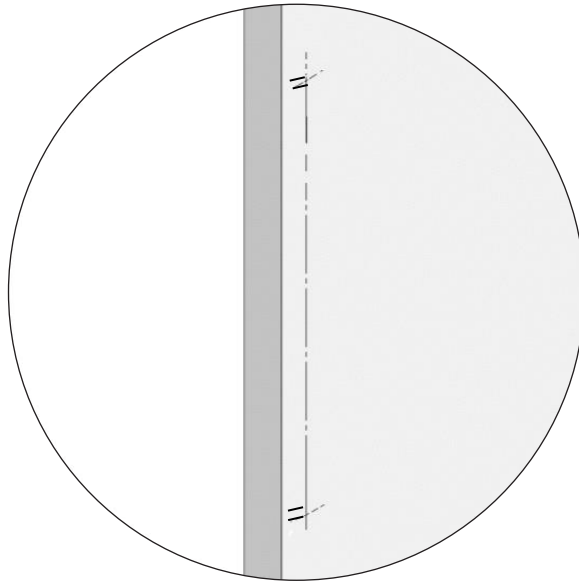


DDP.1038.XX.XX.XXX.XXXX

Size:-CC  
8"  
12"  
18"  
24"



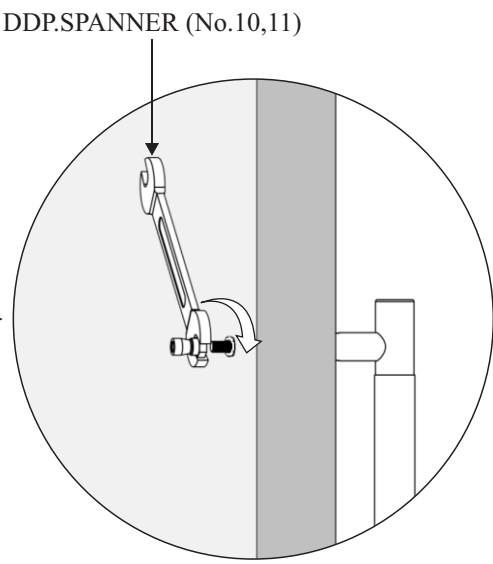
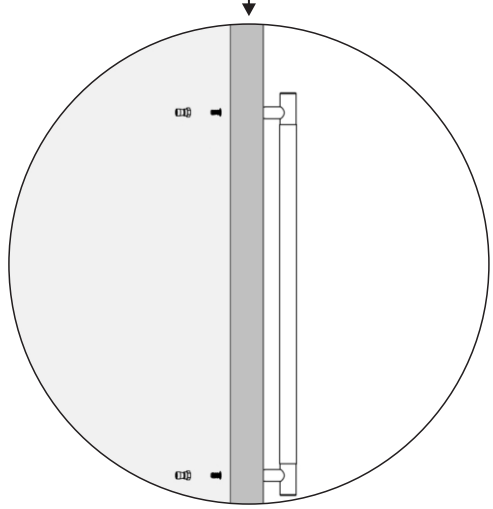
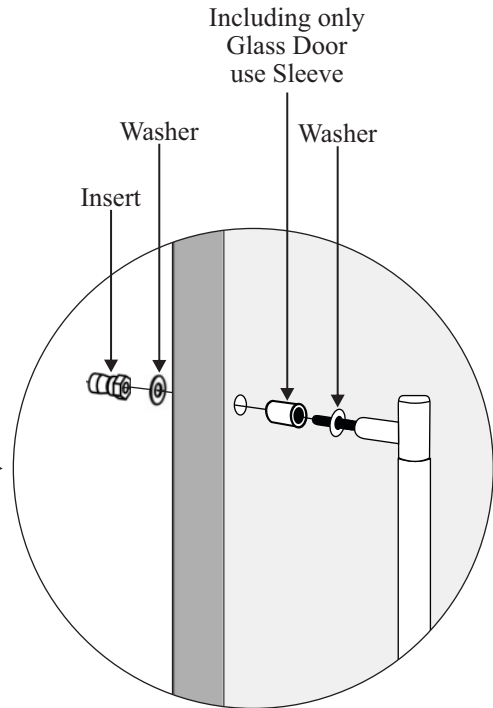
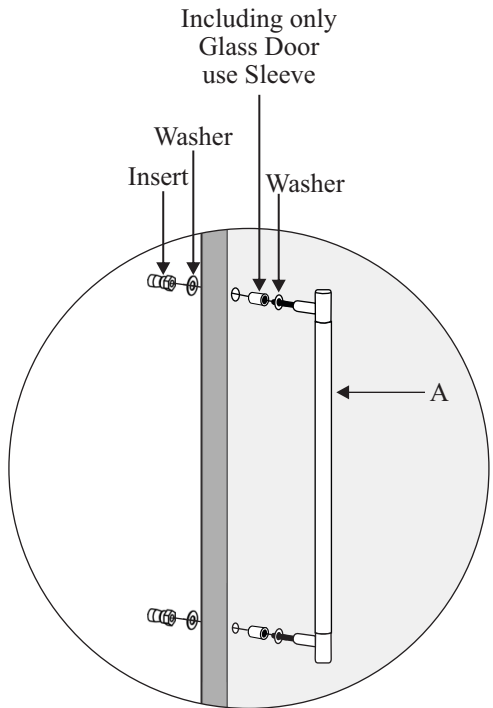
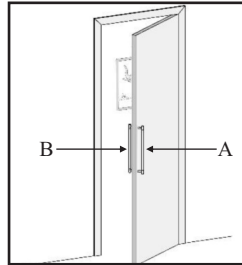
STEP-3



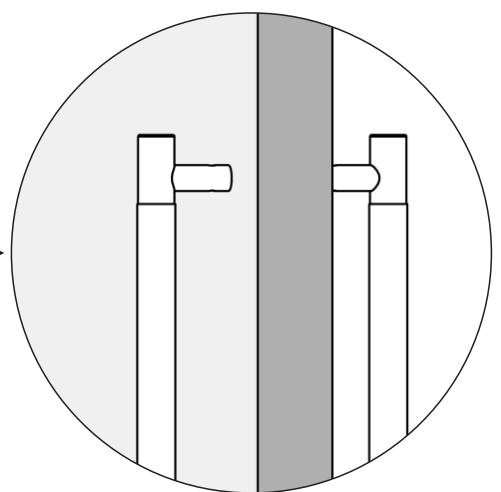
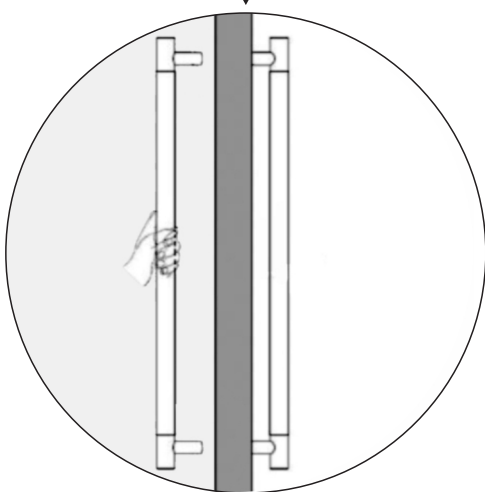
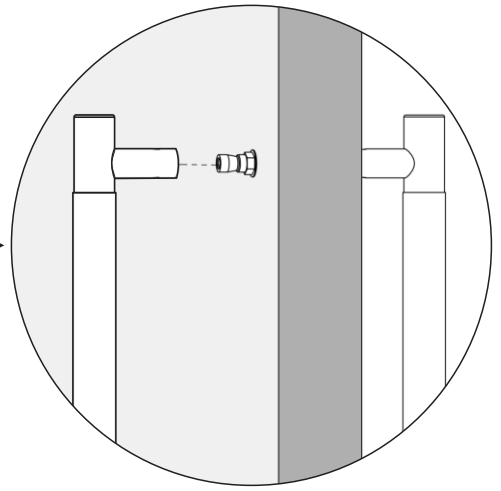
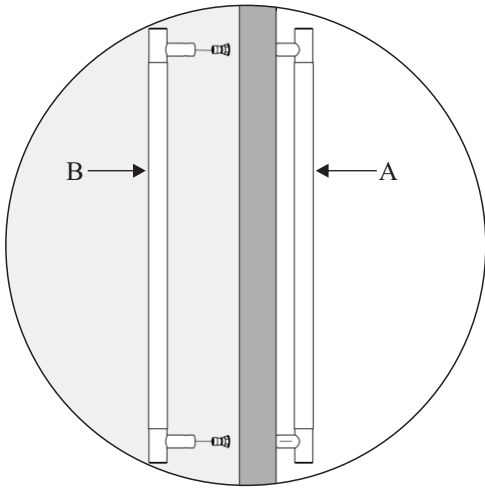
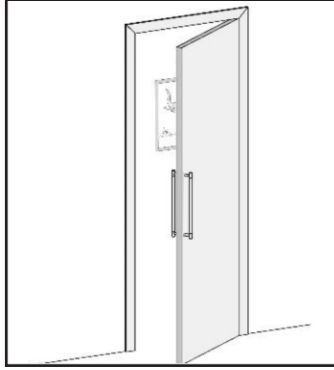
DRILL SIZE			
	Glass	Wood	Metal
<b>DDP</b>	3/8" (9.5mm)	1/4" (6.4mm)	1/4" (6.4mm)

STEP-4

Step Wise Packing List			
S.No.	Part Number	Qty	Steps
6	DDP.SPANNER (No.10,11)	1x	4



STEP-5



STEP-6

